

64M x 8 bit DDR Synchronous DRAM (SDRAM)

Advanced (Rev. 1.0, Feb. /2014)

Features

- Fast clock rate: 250/200MHz
- Differential Clock CK & \overline{CK}
- Bi-directional DQS
- DLL enable/disable by EMRS
- Fully synchronous operation
- Internal pipeline architecture
- Four internal banks, 16M x 8-bit for each bank
- Programmable Mode and Extended Mode registers
 - CAS Latency: 2, 2.5, 3
 - Burst length: 2, 4, 8
 - Burst Type: Sequential & Interleaved
- Individual byte write mask control
- DM Write Latency = 0
- Auto Refresh and Self Refresh
- 8192 refresh cycles / 64ms
- Precharge & active power down
- Power supplies: VDD & VDDQ = 2.5V ± 0.2V
- Industrial Operating Temperature: -40~85°C
- Interface: SSTL_2 I/O Interface
- Package: 66 Pin TSOP II, 0.65mm pin pitch
 - Pb and Halogen free
- Package: 60-Ball, 8x13x1.2 mm (max) TFBGA
 - Pb free and Halogen Free

Overview

The EM6AB080 SDRAM is a high-speed CMOS double data rate synchronous DRAM containing 512 Mbits. It is internally configured as a quad 16M x 8-bit DRAM with a synchronous interface (all signals are registered on the positive edge of the clock signal, CK). Data outputs occur at both rising edges of CK and \overline{CK} . Read and write accesses to the SDRAM are burst oriented; accesses start at a selected location and continue for a programmed number of locations in a programmed sequence. Accesses begin with the registration of a BankActivate command which is then followed by a Read or Write command. The EM6AB080 provides programmable Read or Write burst lengths of 2, 4, or 8. An auto precharge function may be enabled to provide a self-timed row precharge that is initiated at the end of the burst sequence. The refresh functions, either Auto or Self Refresh are easy to use. In addition, EM6AB080 features programmable DLL option. By having a programmable mode register and extended mode register, the system can choose the most suitable modes to maximize its performance. These devices are well suited for applications requiring high memory bandwidth, result in a device particularly well suited to high performance main memory and graphics applications.

Table 1. Ordering Information

| Part Number | Clock Frequency | Data Rate | Package |
|-----------------|-----------------|-------------|---------|
| EM6AB080TSB-4IG | 250MHz | 500Mbps/pin | TSOPII |
| EM6AB080TSB-5IG | 200MHz | 400Mbps/pin | TSOPII |
| EM6AB080WKB-4IH | 250MHz | 500Mbps/pin | TFBGA |
| EM6AB080WKB-5IH | 200MHz | 400Mbps/pin | TFBGA |

TS: indicates TSOPII package

WK: indicates TFBGA package

B: indicates Generation Code

I: indicates Industrial grade

G: indicates Pb free and Halogen Free for TSOPII Package

H: indicates Pb free and Halogen Free for TFBGA Package

Etron Technology, Inc.

No. 6, Technology Rd. V, Hsinchu Science Park, Hsinchu, Taiwan 30078, R.O.C.

TEL: (886)-3-5782345 FAX: (886)-3-5778671

Figure 1. Pin Assignment (Top View)

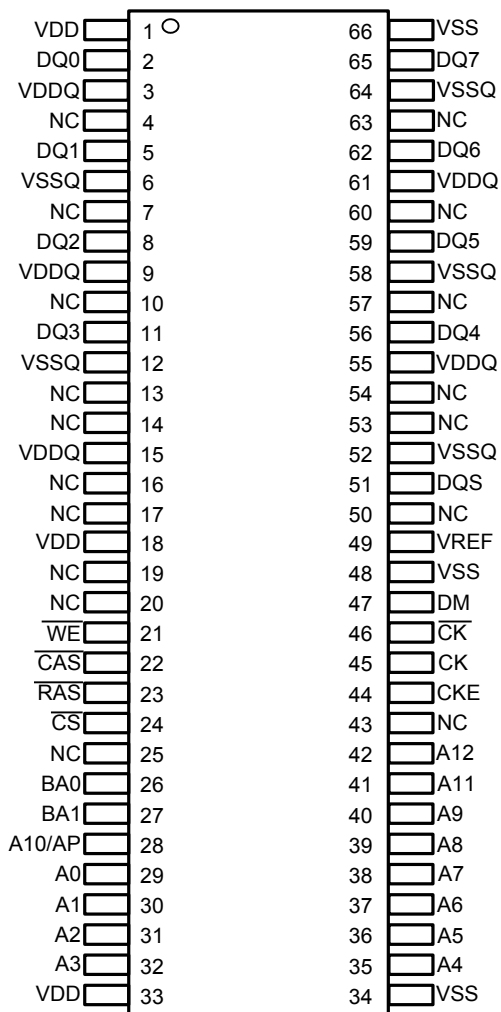


Figure 1.1 Ball Assignment (Top View)

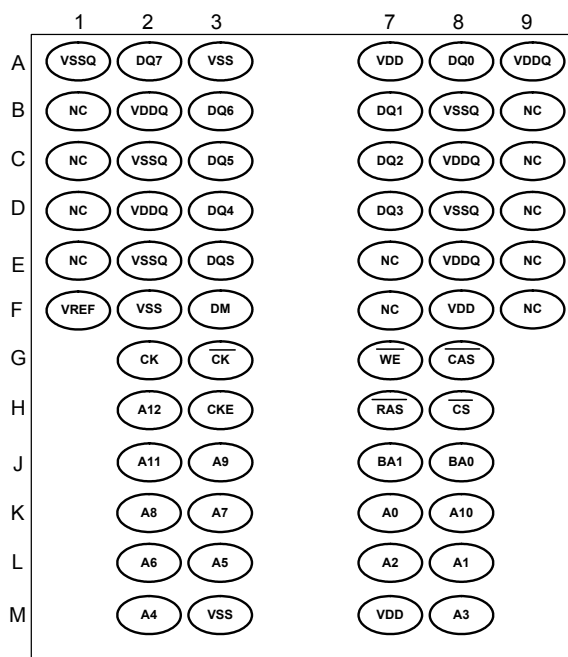
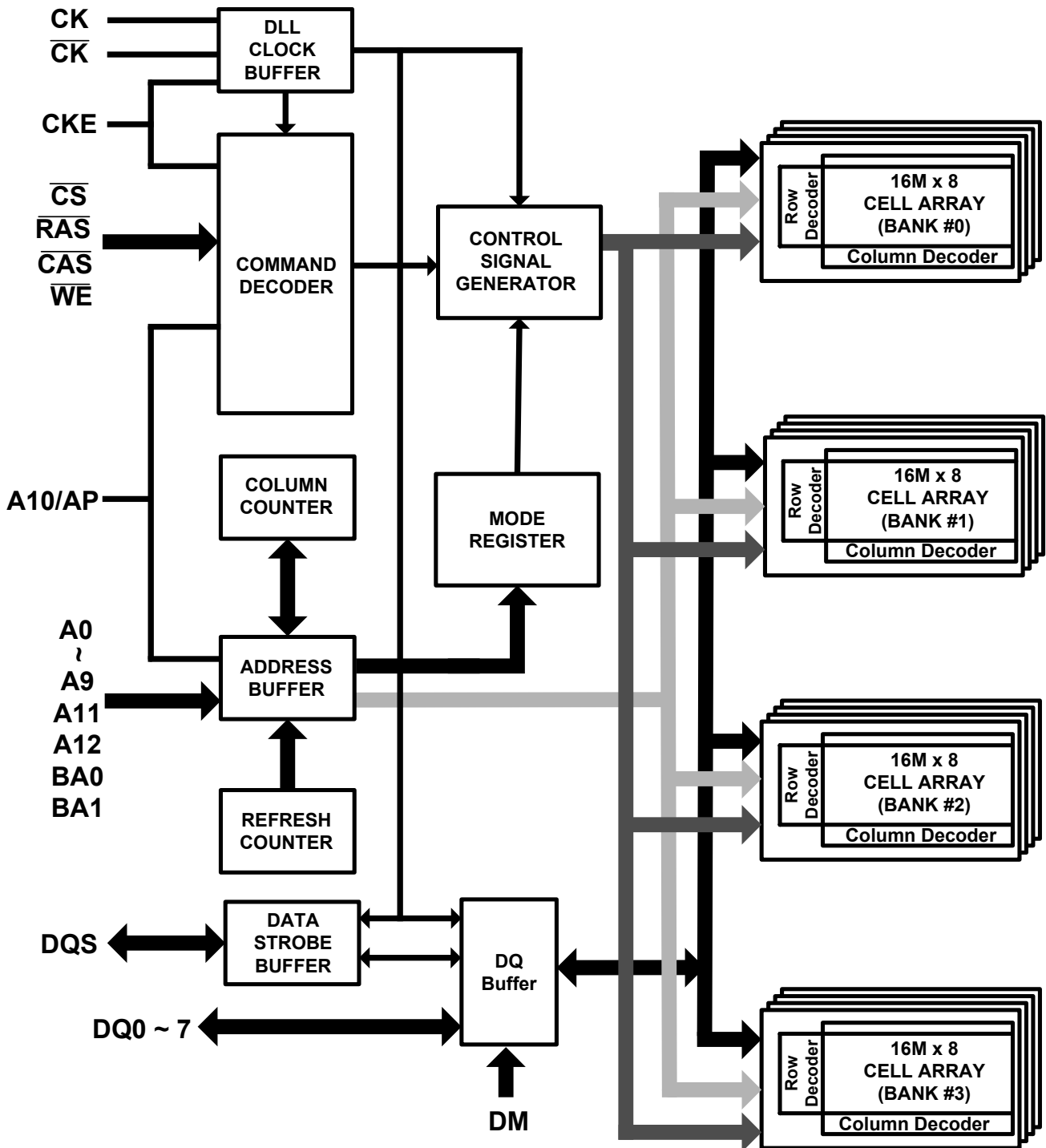


Figure 2. Block Diagram



Pin Descriptions

Table 2. Pin Details of EM6AB080

| Symbol | Type | Description |
|---------------------|----------------|---|
| CK, \overline{CK} | Input | Differential Clock: CK and \overline{CK} are differential clock inputs. All address and control input signals are sampled on the crossing of the positive edge of CK and negative edge of \overline{CK} . Input and output data is referenced to the crossing of CK and \overline{CK} (both directions of the crossing) |
| CKE | Input | Clock Enable: CKE activates (HIGH) and deactivates (LOW) the CK signal. If CKE goes low synchronously with clock, the internal clock is suspended from the next clock cycle and the state of output and burst address is frozen as long as the CKE remains low. When all banks are in the idle state, deactivating the clock controls the entry to the Power Down and Self Refresh modes. |
| BA0, BA1 | Input | Bank Activate: BA0 and BA1 define to which bank the BankActivate, Read, Write, or BankPrecharge command is being applied. |
| A0-A12 | Input | Address Inputs: A0-A12 are sampled during the BankActivate command (row address A0-A12) and Read/Write command (column address A0-A9, A11 with A10 defining Auto Precharge). |
| \overline{CS} | Input | Chip Select: \overline{CS} enables (sampled LOW) and disables (sampled HIGH) the command decoder. All commands are masked when \overline{CS} is sampled HIGH. \overline{CS} provides for external bank selection on systems with multiple banks. It is considered part of the command code. |
| \overline{RAS} | Input | Row Address Strobe: The \overline{RAS} signal defines the operation commands in conjunction with the \overline{CAS} and \overline{WE} signals and is latched at the positive edges of CK. When \overline{RAS} and \overline{CS} are asserted "LOW" and \overline{CAS} is asserted "HIGH," either the BankActivate command or the Precharge command is selected by the \overline{WE} signal. When the \overline{WE} is asserted "HIGH," the BankActivate command is selected and the bank designated by BA is turned on to the active state. When the \overline{WE} is asserted "LOW," the Precharge command is selected and the bank designated by BA is switched to the idle state after the precharge operation. |
| \overline{CAS} | Input | Column Address Strobe: The \overline{CAS} signal defines the operation commands in conjunction with the \overline{RAS} and \overline{WE} signals and is latched at the positive edges of CK. When \overline{RAS} is held "HIGH" and \overline{CS} is asserted "LOW," the column access is started by asserting \overline{CAS} "LOW." Then, the Read or Write command is selected by asserting \overline{WE} "HIGH" or "LOW". |
| \overline{WE} | Input | Write Enable: The \overline{WE} signal defines the operation commands in conjunction with the \overline{RAS} and \overline{CAS} signals and is latched at the positive edges of CK. The \overline{WE} input is used to select the BankActivate or Precharge command and Read or Write command. |
| DQS | Input / Output | Data Strobe: Output with read data, input with write data. Edge-aligned with read data, centered in write data. Used to capture write data. |
| DM | Input | Data Input Mask: Input data is masked when DM is sampled HIGH during a write cycle. |
| DQ0 – DQ7 | Input / Output | Data Bus: Data Input/output. |
| V _{DD} | Supply | Power Supply: 2.5V ± 0.2V |
| V _{SS} | Supply | Ground |

| | | |
|------------------|--------|--|
| V _{DDQ} | Supply | DQ Power: 2.5V ± 0.2V. Provide isolated power to DQs for improved noise immunity. |
| V _{SSQ} | Supply | DQ Ground: Provide isolated ground to DQs for improved noise immunity. |
| V _{REF} | Supply | SSTL_2 reference Voltage |
| NC | - | No Connect: These pins should be left unconnected. |

Operation Mode

Fully synchronous operations are performed to latch the commands at the positive edges of CK. Table 3 shows the truth table for the operation commands.

Table 3. Truth Table (Note (1), (2))

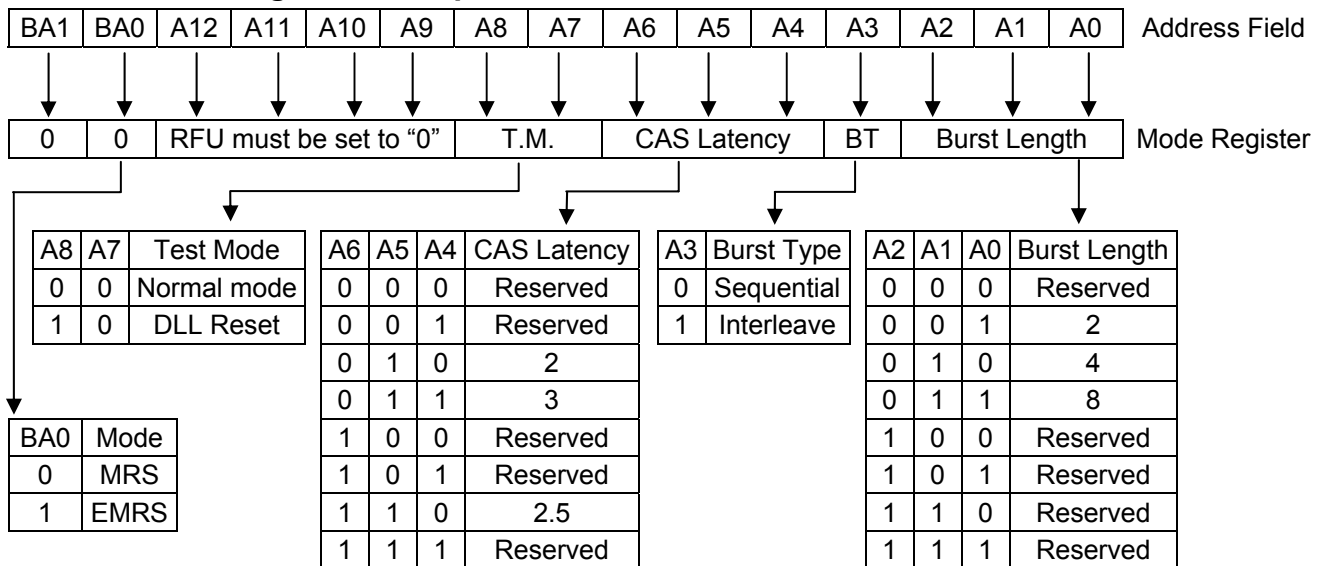
| Command | State | CKE _{n-1} | CKE _n | DM | BA _{0,1} | A10 | A0-9, 11-12 | \overline{CS} | RAS | CAS | \overline{WE} |
|---------------------------------|-----------------------|--------------------|------------------|----|-------------------|-------------|--------------------------|-----------------|-----|-----|-----------------|
| BankActivate | Idle ⁽³⁾ | H | X | X | V | Row address | | L | L | H | H |
| BankPrecharge | Any | H | X | X | V | L | X | L | L | H | L |
| PrechargeAll | Any | H | X | X | X | H | X | L | L | H | L |
| Write | Active ⁽³⁾ | H | X | X | V | L | Column address (A0 ~ A9) | L | H | L | L |
| Write and AutoPrecharge | Active ⁽³⁾ | H | X | X | V | H | | L | H | L | L |
| Read | Active ⁽³⁾ | H | X | X | V | L | Column address (A0 ~ A9) | L | H | L | H |
| Read and Autoprecharge | Active ⁽³⁾ | H | X | X | V | H | | L | H | L | H |
| Mode Register Set | Idle | H | X | X | OP code | | | L | L | L | L |
| Extended MRS | Idle | H | X | X | OP code | | | L | L | L | L |
| No-Operation | Any | H | X | X | X | X | X | L | H | H | H |
| Burst Stop | Active ⁽⁴⁾ | H | X | X | X | X | X | L | H | H | L |
| Device Deselect | Any | H | X | X | X | X | X | H | X | X | X |
| AutoRefresh | Idle | H | H | X | X | X | X | L | L | L | H |
| SelfRefresh Entry | Idle | H | L | X | X | X | X | L | L | L | H |
| SelfRefresh Exit | Idle (SelfRefresh) | L | H | X | X | X | X | H | X | X | X |
| | | | | | | | | L | H | H | H |
| Precharge Power Down Mode Entry | Idle | H | L | X | X | X | X | H | X | X | X |
| | | | | | | | | L | H | H | H |
| Precharge Power Down Mode Exit | Any (PowerDown) | L | H | X | X | X | X | H | X | X | X |
| | | | | | | | | L | H | H | H |
| Active Power Down Mode Entry | Active | H | L | X | X | X | X | H | X | X | X |
| | | | | | | | | L | V | V | V |
| Active Power Down Mode Exit | Any (PowerDown) | L | H | X | X | X | X | H | X | X | X |
| | | | | | | | | L | H | H | H |
| Data Input Mask Disable | Active | H | X | L | X | X | X | X | X | X | X |
| Data Input Mask Enable | Active | H | X | H | X | X | X | X | X | X | X |

- Note:**
1. V=Valid data, X=Don't Care, L=Low level, H=High level
 2. CKE_n signal is input level when commands are provided.
CKE_{n-1} signal is input level one clock cycle before the commands are provided.
 3. These are states of bank designated by BA signal.
 4. Device state is 2, 4, and 8 burst operation.

Mode Register Set (MRS)

The Mode Register stores the data for controlling various operating modes of a DDR SDRAM. It programs CAS Latency, Burst Type, and Burst Length to make the DDR SDRAM useful for a variety of applications. The default value of the Mode Register is not defined; therefore the Mode Register must be written by the user. Values stored in the register will be retained until the register is reprogrammed. The Mode Register is written by asserting Low on \overline{CS} , \overline{RAS} , \overline{CAS} , \overline{WE} , BA1 and BA0 (the device should have all banks idle with no bursts in progress prior to writing into the mode register, and CKE should be High). The state of address pins A0~A12 and BA0, BA1 in the same cycle in which \overline{CS} , \overline{RAS} , \overline{CAS} and \overline{WE} are asserted Low is written into the Mode Register. A minimum of two clock cycles, tMRD, are required to complete the write operation in the Mode Register. The Mode Register is divided into various fields depending on functionality. The Burst Length uses A0~A2, Burst Type uses A3, and CAS Latency (read latency from column address) uses A4~A6. A logic 0 should be programmed to all the undefined addresses to ensure future compatibility. Reserved states should not be used to avoid unknown device operation or incompatibility with future versions. Refer to the table for specific codes for various burst lengths, burst types and CAS latencies.

Table 4. Mode Register Bitmap



- **Burst Length Field (A2~A0)**

This field specifies the data length of column access using the A2~A0 pins and selects the Burst Length to be 2, 4, 8.

Table 5. Burst Length

| A2 | A1 | A0 | Burst Length |
|----|----|----|--------------|
| 0 | 0 | 0 | Reserved |
| 0 | 0 | 1 | 2 |
| 0 | 1 | 0 | 4 |
| 0 | 1 | 1 | 8 |
| 1 | 0 | 0 | Reserved |
| 1 | 0 | 1 | Reserved |
| 1 | 1 | 0 | Reserved |
| 1 | 1 | 1 | Reserved |

- Addressing Mode Select Field (A3)

The Addressing Mode can be one of two modes, either Interleave Mode or Sequential Mode. Both Sequential Mode and Interleave Mode support burst length of 2, 4 and 8.

Table 6. Addressing Mode

| A3 | Addressing Mode |
|----|-----------------|
| 0 | Sequential |
| 1 | Interleave |

- Burst Definition, Addressing Sequence of Sequential and Interleave Mode

Table 7. Burst Address ordering

| Burst Length | Start Address | | | Sequential | Interleave |
|--------------|---------------|----|----|------------------------|------------------------|
| | A2 | A1 | A0 | | |
| 2 | X | X | 0 | 0, 1 | 0, 1 |
| | X | X | 1 | 1, 0 | 1, 0 |
| 4 | X | 0 | 0 | 0, 1, 2, 3 | 0, 1, 2, 3 |
| | X | 0 | 1 | 1, 2, 3, 0 | 1, 0, 3, 2 |
| | X | 1 | 0 | 2, 3, 0, 1 | 2, 3, 0, 1 |
| | X | 1 | 1 | 3, 0, 1, 2 | 3, 2, 1, 0 |
| 8 | 0 | 0 | 0 | 0, 1, 2, 3, 4, 5, 6, 7 | 0, 1, 2, 3, 4, 5, 6, 7 |
| | 0 | 0 | 1 | 1, 2, 3, 4, 5, 6, 7, 0 | 1, 0, 3, 2, 5, 4, 7, 6 |
| | 0 | 1 | 0 | 2, 3, 4, 5, 6, 7, 0, 1 | 2, 3, 0, 1, 6, 7, 4, 5 |
| | 0 | 1 | 1 | 3, 4, 5, 6, 7, 0, 1, 2 | 3, 2, 1, 0, 7, 6, 5, 4 |
| | 1 | 0 | 0 | 4, 5, 6, 7, 0, 1, 2, 3 | 4, 5, 6, 7, 0, 1, 2, 3 |
| | 1 | 0 | 1 | 5, 6, 7, 0, 1, 2, 3, 4 | 5, 4, 7, 6, 1, 0, 3, 2 |
| | 1 | 1 | 0 | 6, 7, 0, 1, 2, 3, 4, 5 | 6, 7, 4, 5, 2, 3, 0, 1 |
| | 1 | 1 | 1 | 7, 0, 1, 2, 3, 4, 5, 6 | 7, 6, 5, 4, 3, 2, 1, 0 |

- CAS Latency Field (A6~A4)

This field specifies the number of clock cycles from the assertion of the Read command to the first read data. The minimum whole value of CAS Latency depends on the frequency of CK. The minimum whole value satisfying the following formula must be programmed into this field. $t_{CAC(min)} \leq \text{CAS Latency} \times t_{CK}$

Table 8. CAS Latency

| A6 | A5 | A4 | CAS Latency |
|----|----|----|-------------|
| 0 | 0 | 0 | Reserved |
| 0 | 0 | 1 | Reserved |
| 0 | 1 | 0 | 2 clocks |
| 0 | 1 | 1 | 3 clocks |
| 1 | 0 | 0 | Reserved |
| 1 | 0 | 1 | Reserved |
| 1 | 1 | 0 | 2.5 clocks |
| 1 | 1 | 1 | Reserved |

- Test Mode field (A8~A7)

These two bits are used to enter the test mode and must be programmed to "00" in normal operation.

Table 9. Test Mode

| A8 | A7 | Test Mode |
|----|----|-------------|
| 0 | 0 | Normal mode |
| 1 | 0 | DLL Reset |

- (BA0, BA1)

Table 10. MRS/EMRS

| | | |
|-----|-----|---------------------------|
| BA1 | BA0 | A12 ~ A0 |
| RFU | 0 | MRS Cycle |
| RFU | 1 | Extended Functions (EMRS) |

Extended Mode Register Set (EMRS)

The Extended Mode Register Set stores the data for enabling or disabling DLL and selecting output driver strength. The default value of the extended mode register is not defined, therefore must be written after power up for proper operation. The Extended Mode Register is written by asserting Low on \overline{CS} , \overline{RAS} , \overline{CAS} , \overline{WE} , BA1 and BA0 (the device should have all banks idle with no bursts in progress prior to writing into the mode register, and CKE should be High). The state of A0 ~ A12, BA0 and BA1 is written in the mode register in the same cycle as \overline{CS} , \overline{RAS} , \overline{CAS} , and \overline{WE} going low. The DDR SDRAM should be in all bank precharge with CKE already high prior to writing into the extended mode register. A1 is used for setting driver strength to normal, or weak. Two clock cycles are required to complete the write operation in the extended mode register. The mode register contents can be changed using the same command and clock cycle requirements during operation as long as all banks are in the idle state. A0 is used for DLL enable or disable. "High" on BA0 is used for EMRS. Refer to the table for specific codes.

Table 11. Extended Mode Register Bitmap

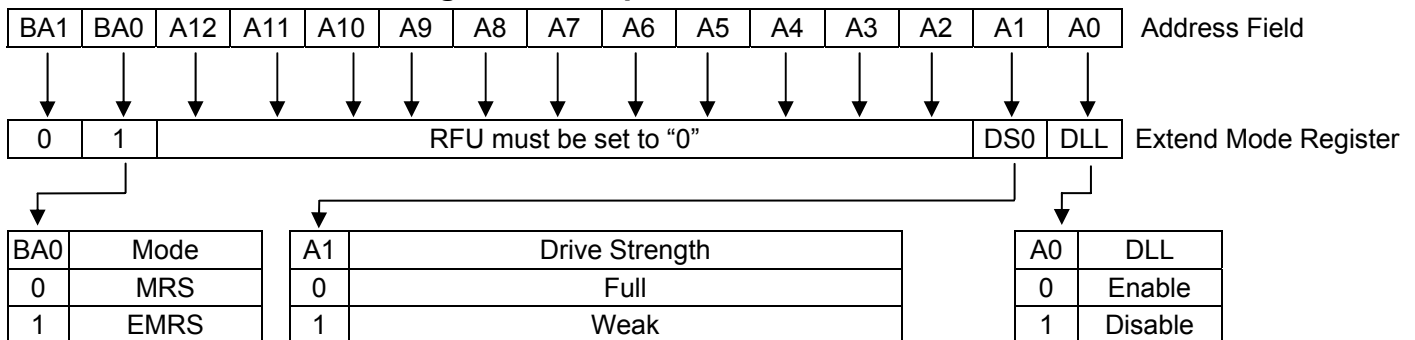


Table 12. Absolute Maximum Rating

| Symbol | Item | Rating | Unit |
|------------------------------------|------------------------------|-------------------------------|------|
| V _{IN} , V _{OUT} | Input, Output Voltage | - 0.5~ V _{DDQ} + 0.5 | V |
| V _{DD} , V _{DDQ} | Power Supply Voltage | - 1~3.6 | V |
| T _A | Ambient Temperature | -40~85 | °C |
| T _{STG} | Storage Temperature | - 55~150 | °C |
| T _{SOLDER} | Soldering Temperature | 260 | °C |
| P _D | Power Dissipation | 1 | W |
| I _{OS} | Short Circuit Output Current | 50 | mA |

Note1: Stress greater than those listed under "Absolute Maximum Ratings" may cause permanent damage to the device.

Note2: These voltages are related to V_{SS}

Table 13. Recommended D.C. Operating Conditions (T_A = -40 ~ 85 °C)

| Symbol | Parameter | Min. | Max. | Unit |
|----------------------|--|-------------------------|-------------------------|------|
| V _{DD} | Power Supply Voltage | 2.3 | 2.7 | V |
| V _{DDQ} | Power Supply Voltage (for I/O Buffer) | 2.3 | 2.7 | V |
| V _{REF} | Input Reference Voltage | 0.49 x V _{DDQ} | 0.51 x V _{DDQ} | V |
| V _{IH} (DC) | Input High Voltage (DC) | V _{REF} + 0.15 | V _{DDQ} + 0.3 | V |
| V _{IL} (DC) | Input Low Voltage (DC) | -0.3 | V _{REF} - 0.15 | V |
| V _{TT} | Termination Voltage | V _{REF} - 0.04 | V _{REF} + 0.04 | V |
| V _{IN} (DC) | Input Voltage Level, CK and \overline{CK} inputs | -0.3 | V _{DDQ} + 0.3 | V |
| V _{ID} (DC) | Input Different Voltage, CK and \overline{CK} inputs | 0.36 | V _{DDQ} + 0.6 | V |
| I _I | Input leakage current | -2 | 2 | μA |
| I _{OZ} | Output leakage current | -5 | 5 | μA |
| I _{OH} | Output High current (V _{OUT} = 1.95V) | -16.2 | - | mA |
| I _{OL} | Output Low current (V _{OUT} = 0.35V) | 16.2 | - | mA |

Note : All voltages are referenced to V_{SS}.

Table 14. Capacitance (V_{DD} = 2.5V, f = 1MHz, T_A = 25 °C)

| Symbol | Parameter | Min. | Max. | Unit |
|------------------|---|------|------|------|
| C _{IN1} | Input Capacitance (CK, \overline{CK}) | 2 | 3 | pF |
| C _{IN2} | Input Capacitance (All other input-only pins) | 2 | 3 | pF |
| C _{I/O} | DQ, DQS, DM Input/Output Capacitance | 4 | 5 | pF |

Note: These parameters are guaranteed by design, periodically sampled and are not 100% tested

Table 15. D.C. Characteristics ($V_{DD} = 2.5V \pm 0.2V$, $T_A = -40\sim 85\text{ }^\circ\text{C}$)

| Parameter & Test Condition | Symbol | -4I | -5I | Unit |
|--|--------|------|-----|------|
| | | Max. | | |
| OPERATING CURRENT: One bank; Active-Precharge; $t_{RC}=t_{RC}(\text{min})$; $t_{CK}=t_{CK}(\text{min})$; DQ,DM and DQS inputs changing once per clock cycle; Address and control inputs changing once every two clock cycles. | IDD0 | 85 | 80 | mA |
| OPERATING CURRENT: One bank; BL=4; reads - Refer to the following page for detailed test conditions | IDD1 | 95 | 90 | mA |
| PRECHARGE POWER-DOWN STANDBY CURRENT: All banks idle; power-down mode; $t_{CK}=t_{CK}(\text{min})$; CKE = LOW | IDD2P | 5 | 5 | mA |
| PRECHARGE FLOATING STANDBY CURRENT: CS = HIGH; all banks idle; CKE = HIGH; $t_{CK} = t_{CK}(\text{min})$; address and other control inputs changing once per clock cycle; $V_{IN} = V_{REF}$ for DQ, DQS and DM | IDD2F | 40 | 35 | mA |
| PRECHARGE QUIET STANDBY CURRENT: CS =HIGH; all banks idle; CKE =HIGH; $t_{CK}=t_{CK}(\text{min})$ address and other control inputs stable at $\geq V_{IH}(\text{min})$ or $\leq V_{IL}(\text{max})$; $V_{IN} = V_{REF}$ for DQ, DQS and DM | IDD2Q | 40 | 35 | mA |
| ACTIVE POWER-DOWN STANDBY CURRENT : one bank active; power-down mode; CKE=LOW; $t_{CK}=t_{CK}(\text{min})$ | IDD3P | 20 | 20 | mA |
| ACTIVE STANDBY CURRENT : CS =HIGH;CKE=HIGH; one bank active ; $t_{RC}=t_{RC}(\text{max})$; $t_{CK}=t_{CK}(\text{min})$;Address and control inputs changing once per clock cycle; DQ,DQS,and DM inputs changing twice per clock cycle | IDD3N | 65 | 65 | mA |
| OPERATING CURRENT BURST READ : BL=2; READS; Continuous burst; one bank active; Address and control inputs changing once per clock cycle; $t_{CK}=t_{CK}(\text{min})$; $I_{out}=0\text{mA}$;50% of data changing on every transfer | IDD4R | 150 | 130 | mA |
| OPERATING CURRENT BURST Write : BL=2; WRITES; Continuous Burst ;one bank active; address and control inputs changing once per clock cycle; $t_{CK}=t_{CK}(\text{min})$; DQ,DQS,and DM changing twice per clock cycle; 50% of data changing on every transfer | IDD4W | 150 | 130 | mA |
| AUTO REFRESH CURRENT : $t_{RC}=t_{RFC}(\text{min})$; $t_{CK}=t_{CK}(\text{min})$ | IDD5 | 160 | 140 | mA |
| SELF REFRESH CURRENT: Self Refresh Mode ; CKE 0.2V; $t_{CK}=t_{CK}(\text{min})$ | IDD6 | 6 | 6 | mA |
| BURST OPERATING CURRENT 4 bank operation: Four bank interleaving READs; BL=4;with Auto Precharge; $t_{RC}=t_{RC}(\text{min})$; $t_{CK}=t_{CK}(\text{min})$; Address and control inputs change only during Active, READ , or WRITE command | IDD7 | 230 | 210 | mA |

Table 16. Electrical Characteristics and Recommended A.C. Operating Condition

($V_{DD} = 2.5V \pm 0.2V$, $T_A = -40 \sim 85 \text{ }^\circ\text{C}$)

| Symbol | Parameter | -4I | | -5I | | Unit | Note | |
|--------------------|--|--|------|--|------|-----------------|------|--|
| | | Min. | Max. | Min. | Max. | | | |
| t _{CK} | Clock cycle time | CL = 2 | - | - | 7.5 | 12 | ns | |
| | | CL = 2.5 | - | - | 6 | 12 | ns | |
| | | CL = 3 | 4 | 12 | 5 | 12 | ns | |
| t _{CH} | Clock high level width | 0.45 | 0.55 | 0.45 | 0.55 | t _{CK} | | |
| t _{CL} | Clock low level width | 0.45 | 0.55 | 0.45 | 0.55 | t _{CK} | | |
| t _{HP} | Clock half period | t _{CLMIN} or t _{CHMIN} | - | t _{CLMIN} or t _{CHMIN} | - | ns | 2 | |
| t _{HZ} | Data-out-high impedance time from CK, $\overline{\text{CK}}$ | - | 0.7 | - | 0.7 | ns | 3 | |
| t _{LZ} | Data-out-low impedance time from CK, $\overline{\text{CK}}$ | -0.7 | 0.7 | -0.7 | 0.7 | ns | 3 | |
| t _{DQSK} | DQS-out access time from CK, $\overline{\text{CK}}$ | -0.6 | 0.6 | -0.6 | 0.6 | ns | | |
| t _{AC} | Output access time from CK, $\overline{\text{CK}}$ | -0.7 | 0.7 | -0.7 | 0.7 | ns | | |
| t _{DQSQ} | DQS-DQ Skew | - | 0.4 | - | 0.4 | ns | | |
| t _{RPRE} | Read preamble | 0.9 | 1.1 | 0.9 | 1.1 | t _{CK} | | |
| t _{RPST} | Read postamble | 0.4 | 0.6 | 0.4 | 0.6 | t _{CK} | | |
| t _{DQSS} | CK to valid DQS-in | 0.8 | 1.2 | 0.72 | 1.25 | t _{CK} | | |
| t _{WPRES} | DQS-in setup time | 0 | - | 0 | - | ns | 4 | |
| t _{WPRE} | DQS Write preamble | 0.25 | - | 0.25 | - | t _{CK} | | |
| t _{WPST} | DQS write postamble | 0.4 | 0.6 | 0.4 | 0.6 | t _{CK} | 5 | |
| t _{DQSH} | DQS in high level pulse width | 0.35 | - | 0.35 | - | t _{CK} | | |
| t _{DQSL} | DQS in low level pulse width | 0.35 | - | 0.35 | - | t _{CK} | | |
| t _{IS} | Address and Control input setup time | 0.7 | - | 0.7 | - | ns | 6 | |
| t _{IH} | Address and Control input hold time | 0.7 | - | 0.7 | - | ns | 6 | |
| t _{DS} | DQ & DM setup time to DQS | 0.4 | - | 0.4 | - | ns | | |
| t _{DH} | DQ & DM hold time to DQS | 0.4 | - | 0.4 | - | ns | | |
| t _{QH} | DQ/DQS output hold time from DQS | t _{HP} - t _{QHS} | - | t _{HP} - t _{QHS} | - | ns | | |
| t _{RC} | Row cycle time | 55 | - | 55 | - | ns | | |
| t _{RFC} | Refresh row cycle time | 70 | - | 70 | - | ns | | |
| t _{RAS} | Row active time | 40 | 70K | 40 | 70K | ns | | |
| t _{RCD} | Active to Read or Write delay | 15 | - | 15 | - | ns | | |
| t _{RP} | Row precharge time | 15 | - | 15 | - | ns | | |
| t _{RRD} | Row active to Row active delay | 8 | - | 10 | - | ns | | |
| t _{WR} | Write recovery time | 12 | - | 15 | - | ns | | |
| t _{WTR} | Internal Write to Read Command Delay | 2 | - | 2 | - | t _{CK} | | |
| t _{MRD} | Mode register set cycle time | 8 | - | 10 | - | ns | | |
| t _{REFI} | Average Periodic Refresh interval | - | 7.8 | - | 7.8 | μs | 7 | |
| t _{XSRD} | Self refresh exit to read command delay | 200 | - | 200 | - | t _{CK} | | |
| t _{XSNR} | Self refresh exit to non-read command delay | 75 | - | 75 | - | ns | | |
| t _{DAL} | Auto Precharge write recovery + precharge time | t _{WR} +t _{RP} | - | t _{WR} +t _{RP} | - | ns | | |
| t _{DIPW} | DQ and DM input pulse width | 1.75 | - | 1.75 | - | ns | | |
| t _{IPW} | Control and Address input pulse width | 2.2 | - | 2.2 | - | ns | | |
| t _{QHS} | Data Hold Skew Factor | - | 0.5 | - | 0.5 | ns | | |
| t _{DSS} | DQS falling edge to CK setup time | 0.2 | - | 0.2 | - | t _{CK} | | |
| t _{DSH} | DQS falling edge hold time from CK | 0.2 | - | 0.2 | - | t _{CK} | | |

Table 17. Recommended A.C. Operating Conditions ($V_{DD} = 2.5V \pm 0.2V$, $T_A = -40\sim 85\text{ }^\circ\text{C}$)

| Symbol | Parameter | Min. | Max. | Unit |
|---------------|---|----------------------------|----------------------------|------|
| V_{IH} (AC) | Input High Voltage (AC) | $V_{REF} + 0.31$ | - | V |
| V_{IL} (AC) | Input Low Voltage (AC) | - | $V_{REF} - 0.31$ | V |
| V_{ID} (AC) | Input Different Voltage, CK and \overline{CK} inputs | 0.7 | $V_{DDQ} + 0.6$ | V |
| V_{IX} (AC) | Input Crossing Point Voltage, CK and \overline{CK} inputs | $0.5 \times V_{DDQ} - 0.2$ | $0.5 \times V_{DDQ} + 0.2$ | V |

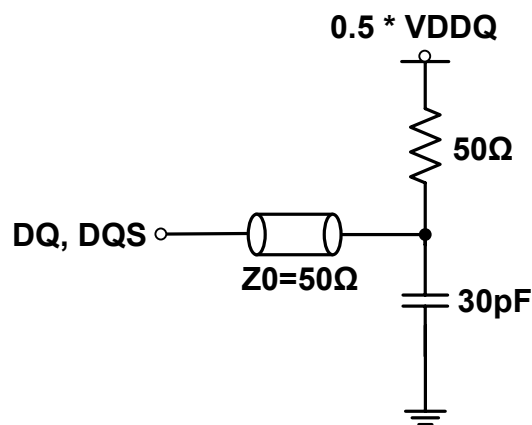
Note:

- 1) Enables on-chip refresh and address counters.
- 2) $\text{Min}(t_{CL}, t_{CH})$ refers to the smaller of the actual clock low time and actual clock high time as provided to the device.
- 3) t_{HZ} and t_{LZ} transitions occur in the same access time windows as valid data transitions. These parameters are not referenced to a specific voltage level, but specify when the device output is no longer driving(HZ), or begins driving(LZ).
- 4) The specific requirement is that DQS be valid (High, Low, or at some point on a valid transition) on or before this CLK edge. A valid transition is defined as monotonic, and meeting the input slew rate specifications of the device. When no writes were previously in progress on the bus, DQS will be transitioning from High-Z to logic LOW. If a previous write was in progress, DQS could be HIGH, LOW, or transitioning from HIGH to LOW at this time, depending on t_{DQSS} .
- 5) The maximum limit for this parameter is not a device limit. The device will operate with a greater value for this parameter, but system performance (bus turnaround) will degrade accordingly.
- 6) For command/address and CK & \overline{CK} slew rate $1.0V/ns$.
- 7) A maximum of eight AUTO REFRESH commands can be posted to any given DDR SDRAM device.
- 8) Power-up sequence is described in Note 10
- 9) A.C. Test Conditions

Table 18. SSTL_2 Interface

| | |
|---|---|
| Reference Level of Output Signals (V_{REF}) | $0.5 \times V_{DDQ}$ |
| Output Load | Reference to the Test Load |
| Input Signal Levels | $V_{REF} + 0.31 \text{ V} / V_{REF} - 0.31 \text{ V}$ |
| Input Signals Slew Rate | 1 V/ns |
| Reference Level of Input Signals | $0.5 \times V_{DDQ}$ |

Figure 3. SSTL_2 A.C. Test Load



10) Power up Sequence

Power up must be performed in the following sequence.

- 1) Apply power to V_{DD} before or at the same time as V_{DDQ} , V_{TT} and V_{REF} when all input signals are held "NOP" state and maintain CKE "LOW".
- 2) Start clock and maintain stable condition for minimum 200 μ s.
- 3) Issue a "NOP" command and keep CKE "HIGH"
- 4) Issue a "Precharge All" command.
- 5) Issue EMRS – enable DLL.
- 6) Issue MRS – reset DLL. (An additional 200 clock cycles are required to lock the DLL).
- 7) Precharge all banks of the device.
- 8) Issue two or more Auto Refresh commands.
- 9) Issue MRS – with A8 to low to initialize the mode register.

Timing Waveforms

Figure 4. Activating a Specific Row in a Specific Bank

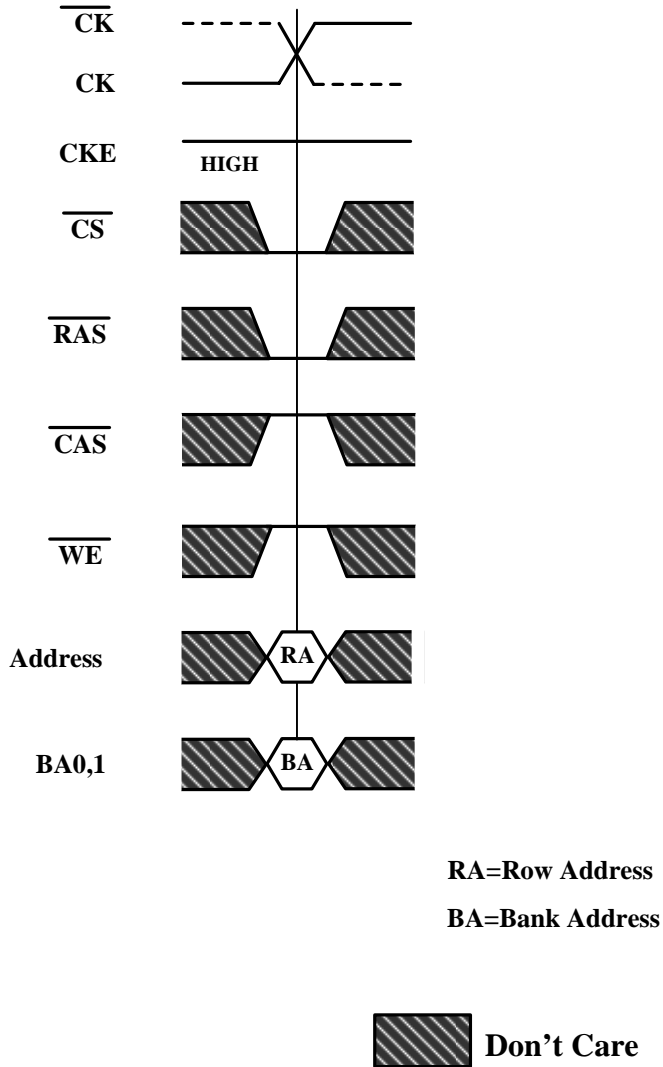


Figure 5. t_{RCD} and t_{RRD} Definition

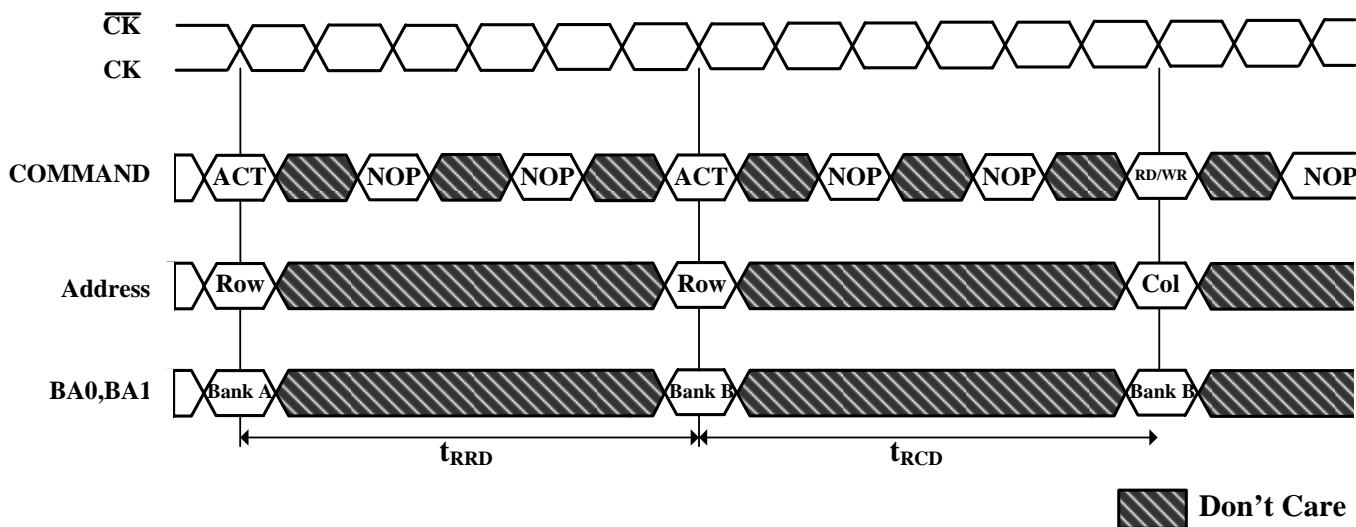


Figure 6. READ Command

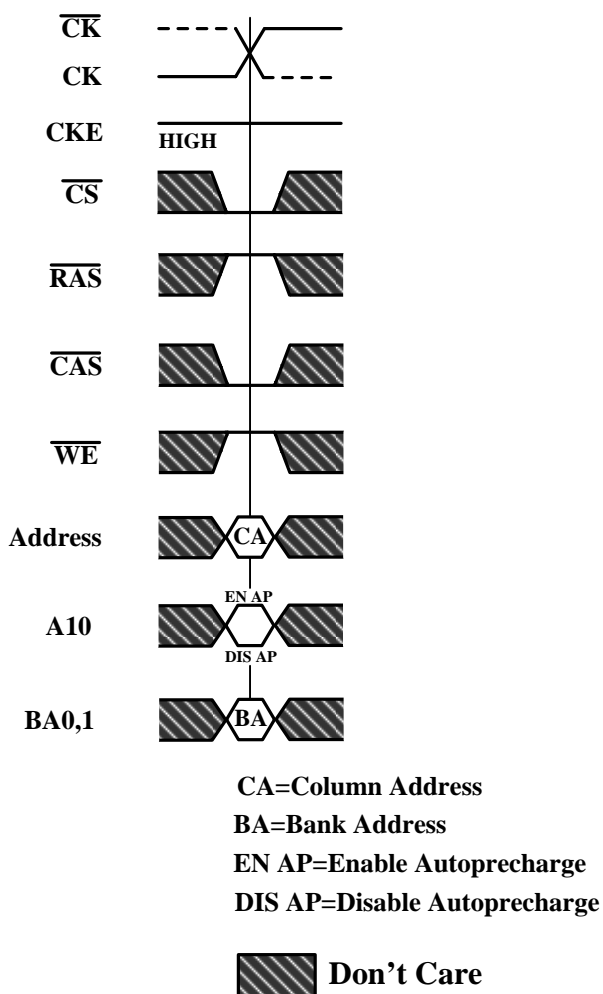
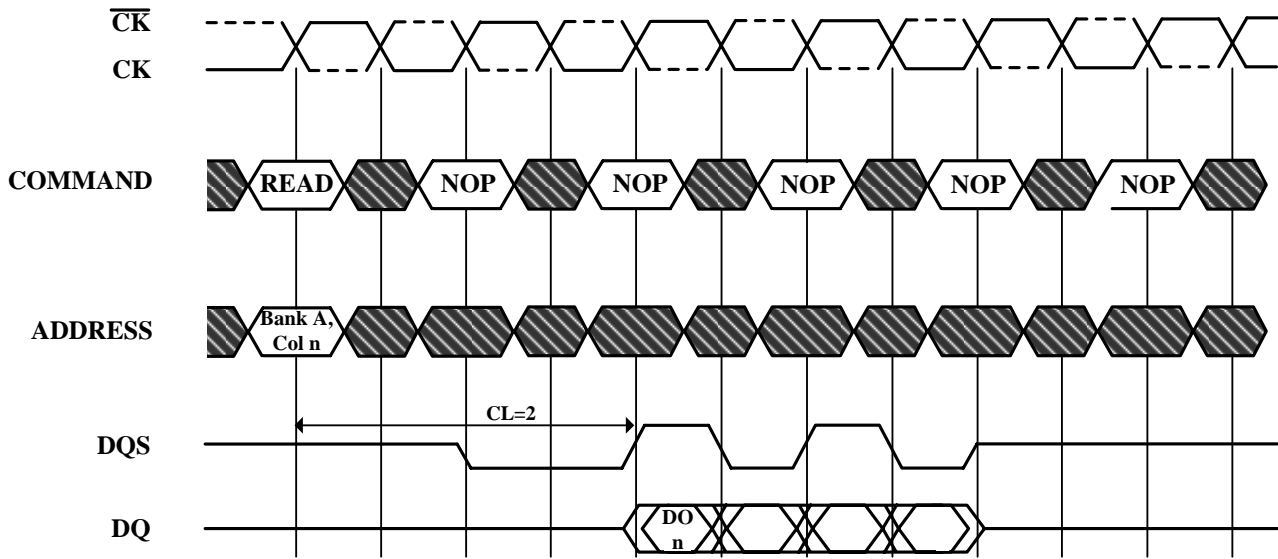


Figure 7. Read Burst Required CAS Latencies (CL=2)



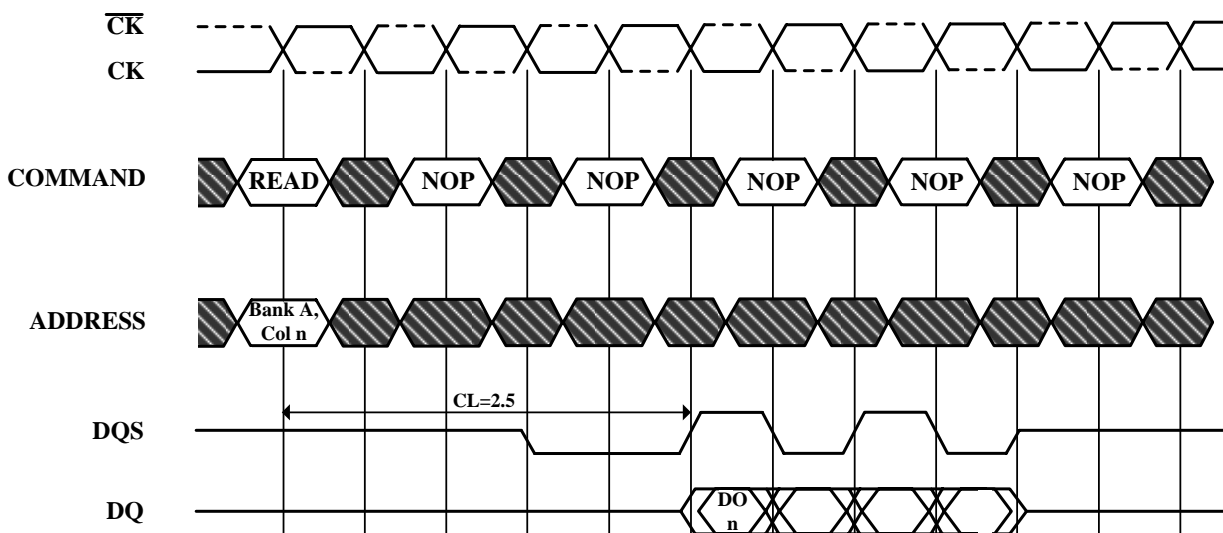
DO n=Data Out from column n

Burst Length=4

3 subsequent elements of Data Out appear in the programmed order following DO n

 Don't Care

Read Burst Required CAS Latencies (CL=2.5)



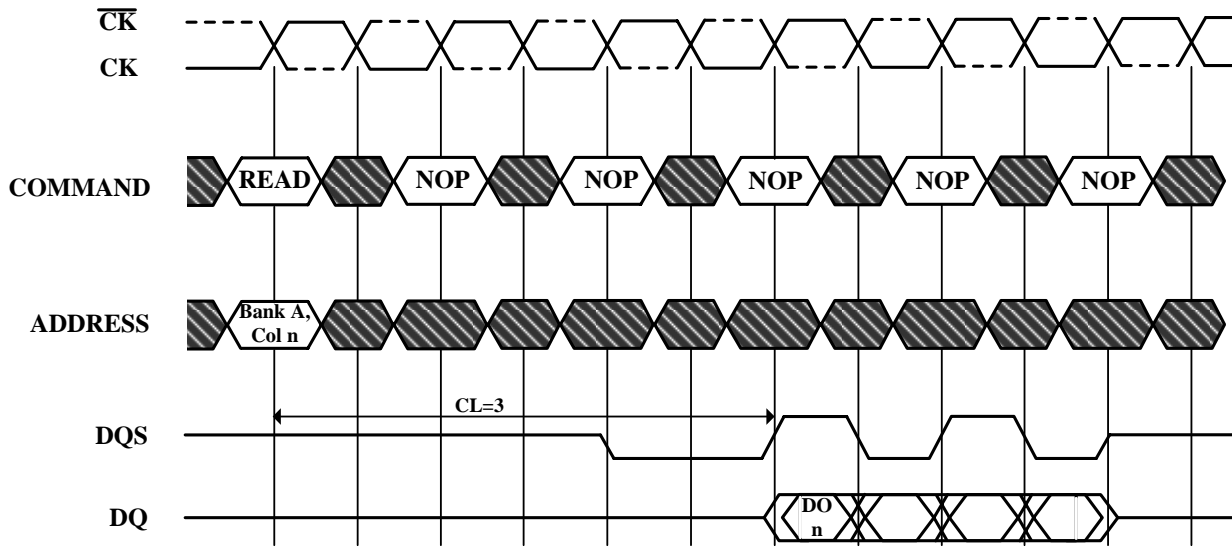
DO n=Data Out from column n

Burst Length=4

3 subsequent elements of Data Out appear in the programmed order following DO n

 Don't Care

Read Burst Required CAS Latencies (CL=3)



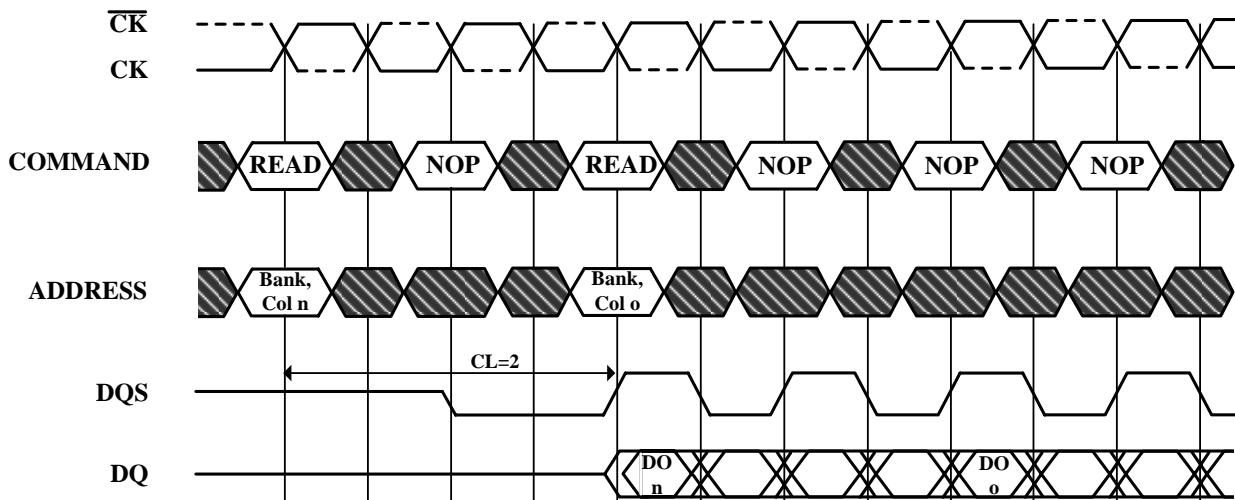
DO n=Data Out from column n

Burst Length=4

3 subsequent elements of Data Out appear in the programmed order following DO n

 Don't Care

Figure 8. Consecutive Read Bursts Required CAS Latencies (CL=2)



DO n (or o)=Data Out from column n (or column o)

Burst Length=4 or 8 (if 4, the bursts are concatenated; if 8, the second burst interrupts the first)

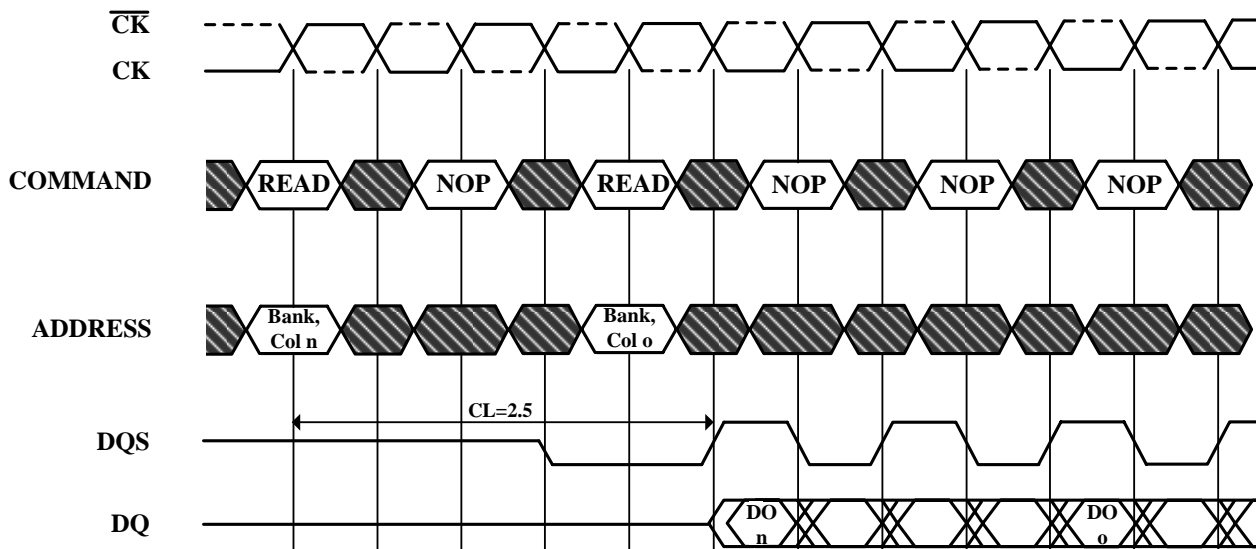
3 subsequent elements of Data Out appear in the programmed order following DO n

3 (or 7) subsequent elements of Data Out appear in the programmed order following DO o

Read commands shown must be to the same device

 Don't Care

Consecutive Read Bursts Required CAS Latencies (CL=2.5)



DO n (or o)=Data Out from column n (or column o)

Burst Length=4 or 8 (if 4, the bursts are concatenated; if 8, the second burst interrupts the first)

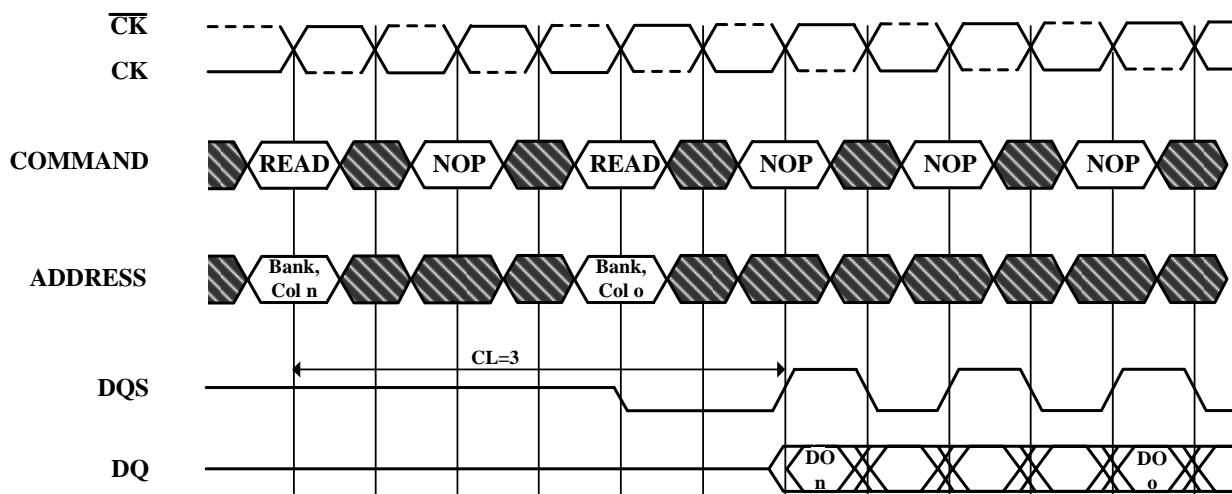
3 subsequent elements of Data Out appear in the programmed order following DO n

3 (or 7) subsequent elements of Data Out appear in the programmed order following DO o

Read commands shown must be to the same device

 **Don't Care**

Consecutive Read Bursts Required CAS Latencies (CL=3)



DO n (or o)=Data Out from column n (or column o)

Burst Length=4 or 8 (if 4, the bursts are concatenated; if 8, the second burst interrupts the first)

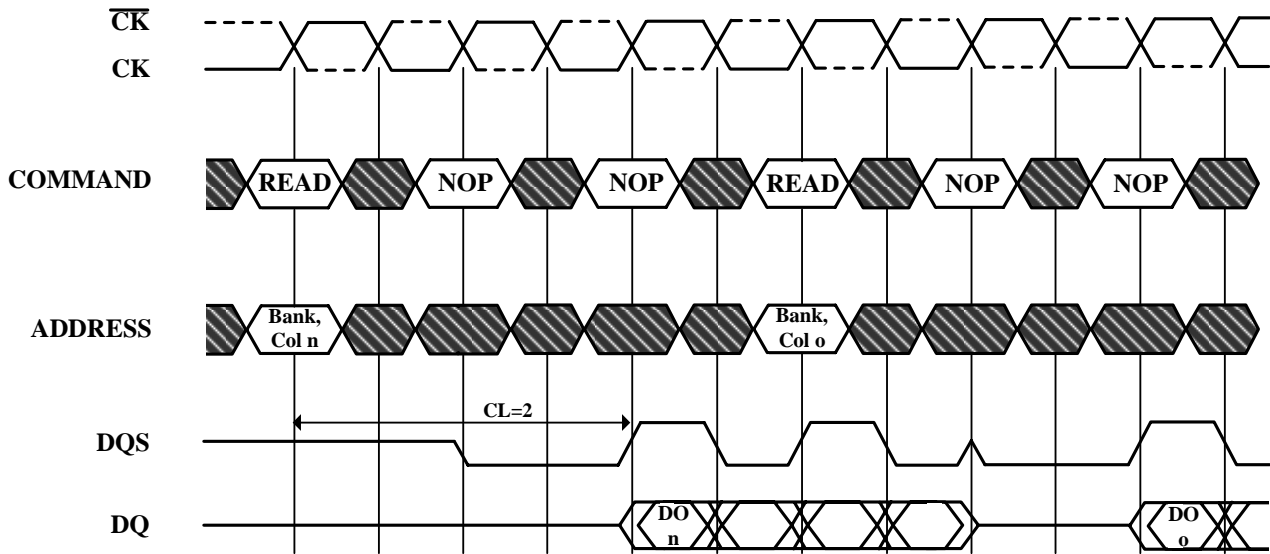
3 subsequent elements of Data Out appear in the programmed order following DO n

3 (or 7) subsequent elements of Data Out appear in the programmed order following DO o

Read commands shown must be to the same device

 Don't Care

Figure 9. Non-Consecutive Read Bursts Required CAS Latencies (CL=2)



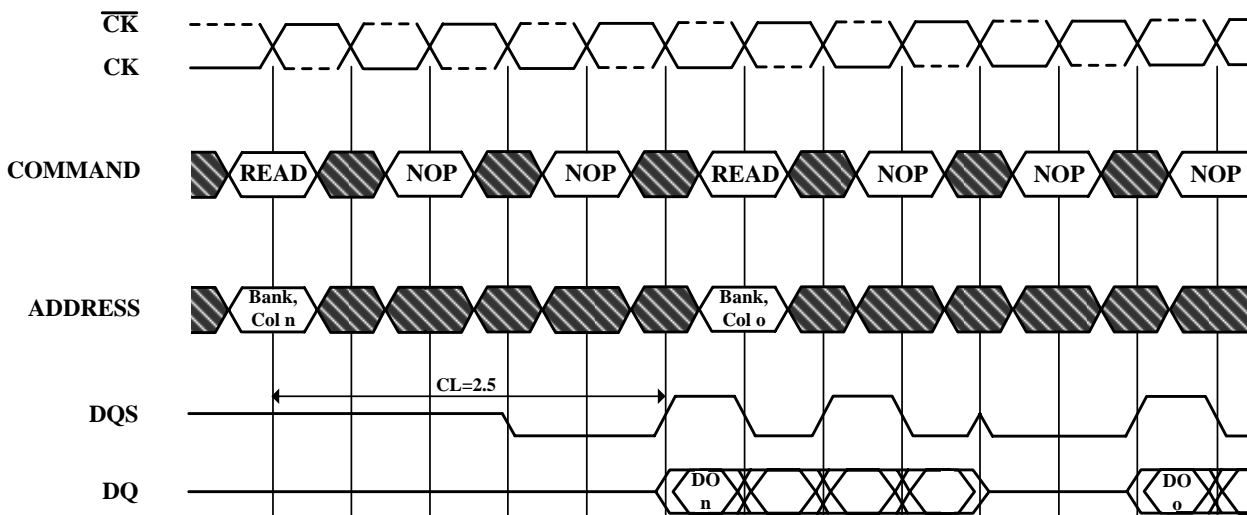
DO n (or o)=Data Out from column n (or column o)

Burst Length=4

3 subsequent elements of Data Out appear in the programmed order following DO n (and following DO o)

 Don't Care

Non-Consecutive Read Bursts Required CAS Latencies (CL=2.5)



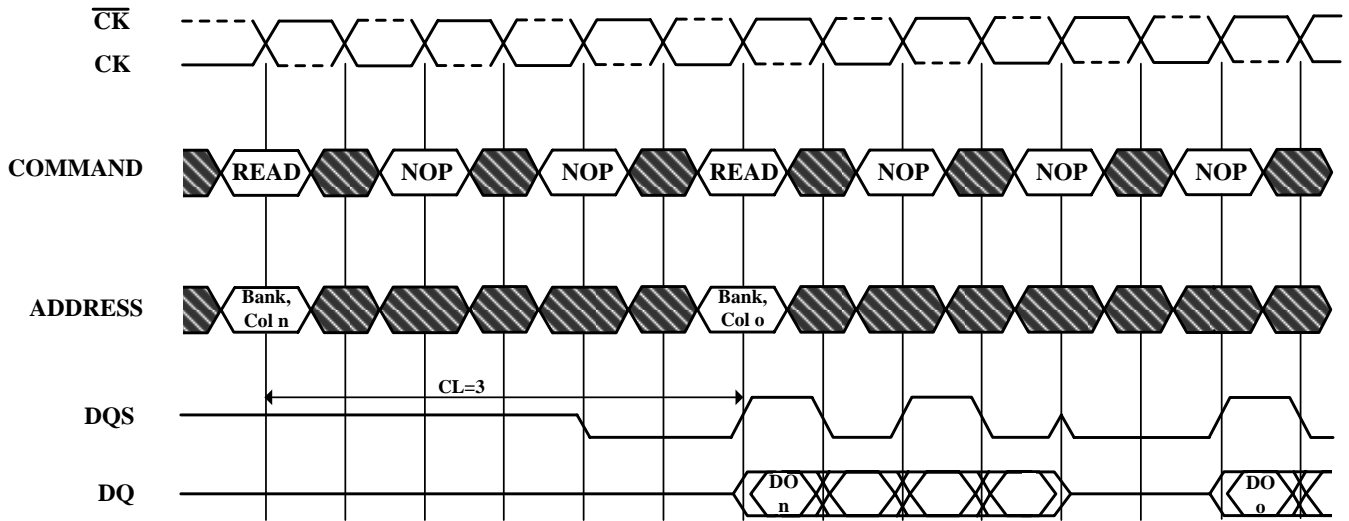
DO n (or o)=Data Out from column n (or column o)

Burst Length=4

3 subsequent elements of Data Out appear in the programmed order following DO n (and following DO o)

 Don't Care

Non-Consecutive Read Bursts Required CAS Latencies (CL=3)



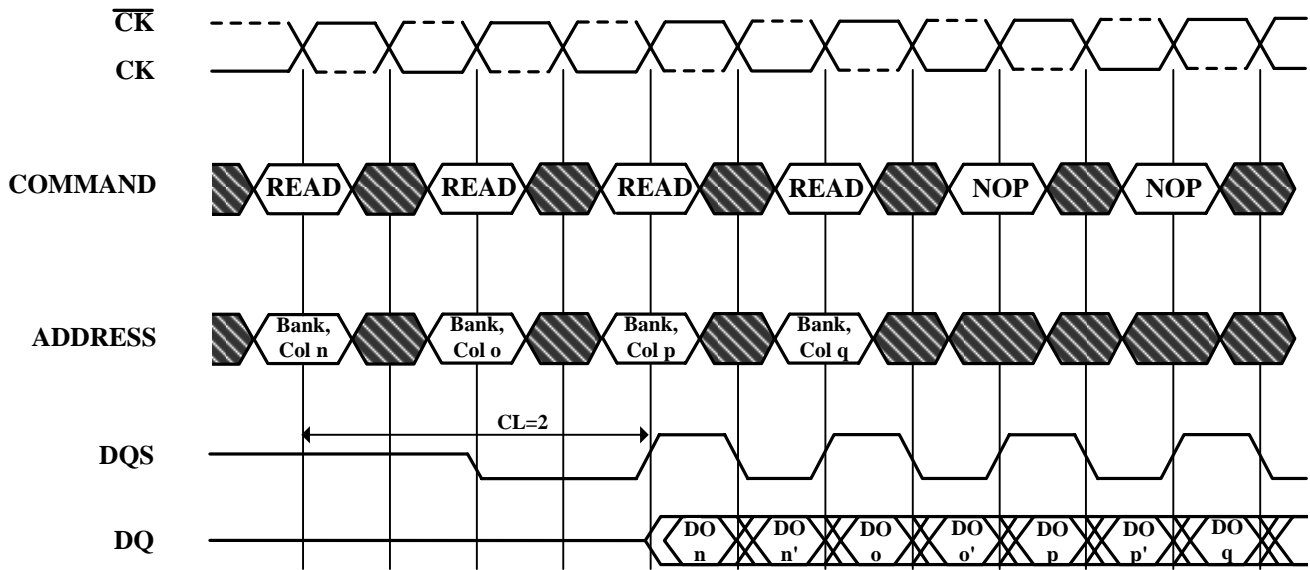
DO n (or o)=Data Out from column n (or column o)

Burst Length=4

3 subsequent elements of Data Out appear in the programmed order following DO n (and following DO o)

 Don't Care

Figure 10. Random Read Accesses Required CAS Latencies (CL=2)



DO n, etc. =Data Out from column n, etc.

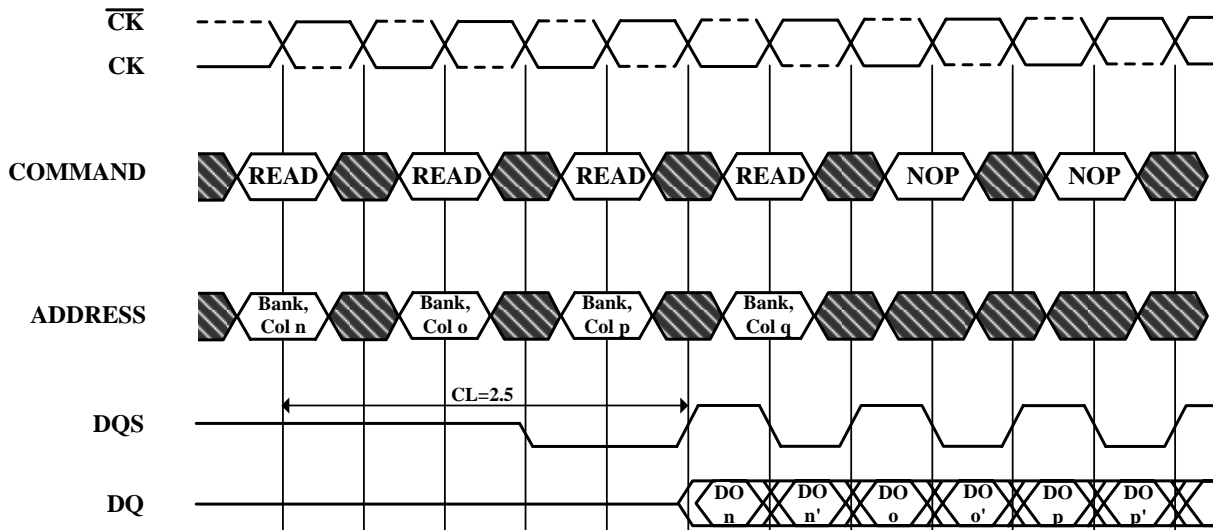
n', etc. =the next Data Out following DO n, etc. according to the programmed burst order

Burst Length=2,4 or 8 in cases shown. If burst of 4 or 8, the burst is interrupted

Reads are to active rows in any banks

 Don't Care

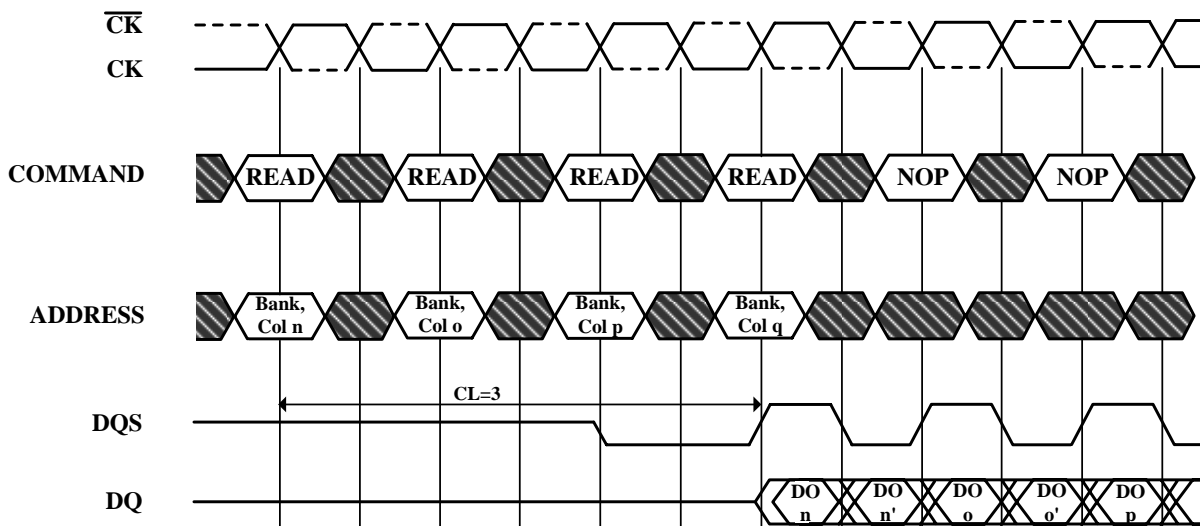
Random Read Accesses Required CAS Latencies (CL=2.5)



DO n, etc. =Data Out from column n, etc.
 n', etc. =the next Data Out following DO n, etc. according to the programmed burst order
 Burst Length=2,4 or 8 in cases shown. If burst of 4 or 8, the burst is interrupted
 Reads are to active rows in any banks

 Don't Care

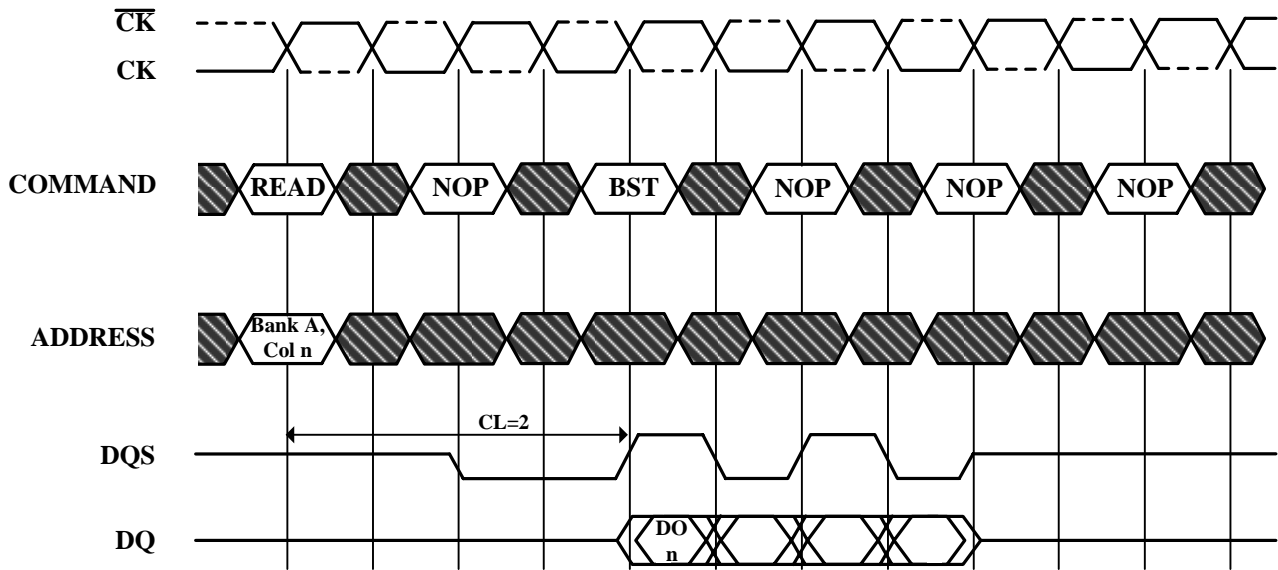
Random Read Accesses Required CAS Latencies (CL=3)



DO n, etc. =Data Out from column n, etc.
 n', etc. =the next Data Out following DO n, etc. according to the programmed burst order
 Burst Length=2,4 or 8 in cases shown. If burst of 4 or 8, the burst is interrupted
 Reads are to active rows in any banks

 Don't Care

Figure 11. Terminating a Read Burst Required CAS Latencies (CL=2)



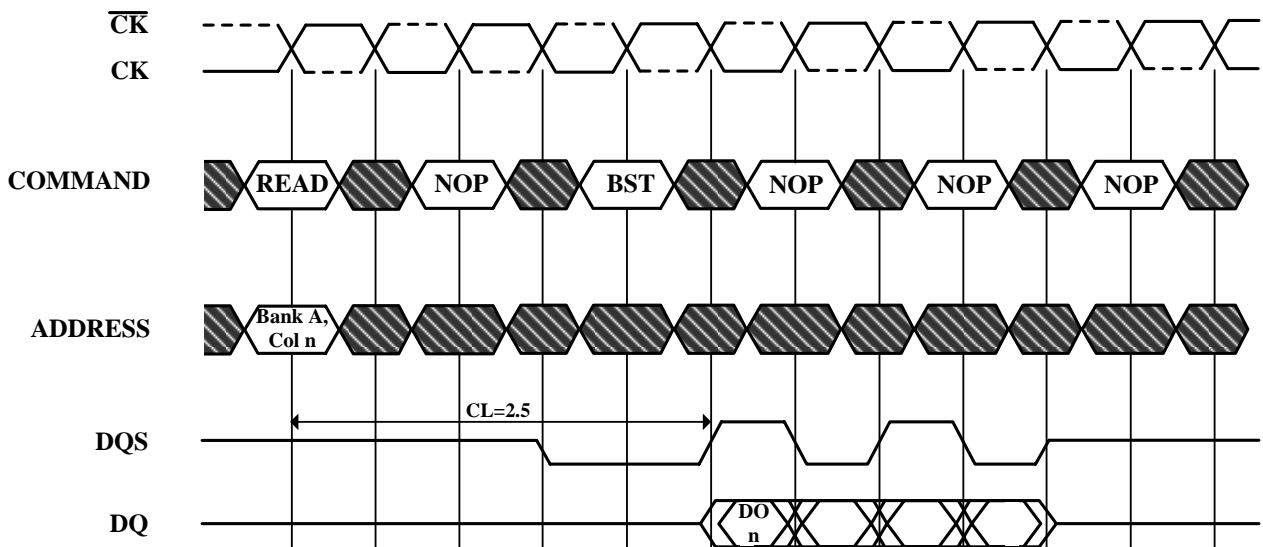
DO n = Data Out from column n

Cases shown are bursts of 8 terminated after 4 data elements

3 subsequent elements of Data Out appear in the programmed order following DO n

 Don't Care

Terminating a Read Burst Required CAS Latencies (CL=2.5)



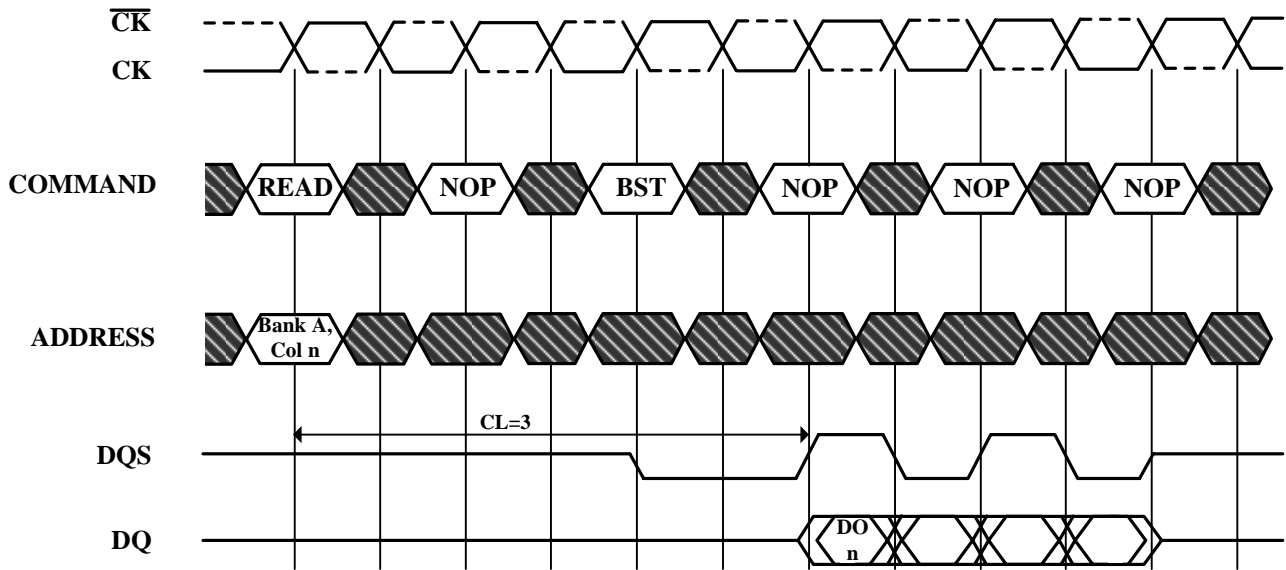
DO n = Data Out from column n

Cases shown are bursts of 8 terminated after 4 data elements

3 subsequent elements of Data Out appear in the programmed order following DO n

 Don't Care

Terminating a Read Burst Required CAS Latencies (CL=3)



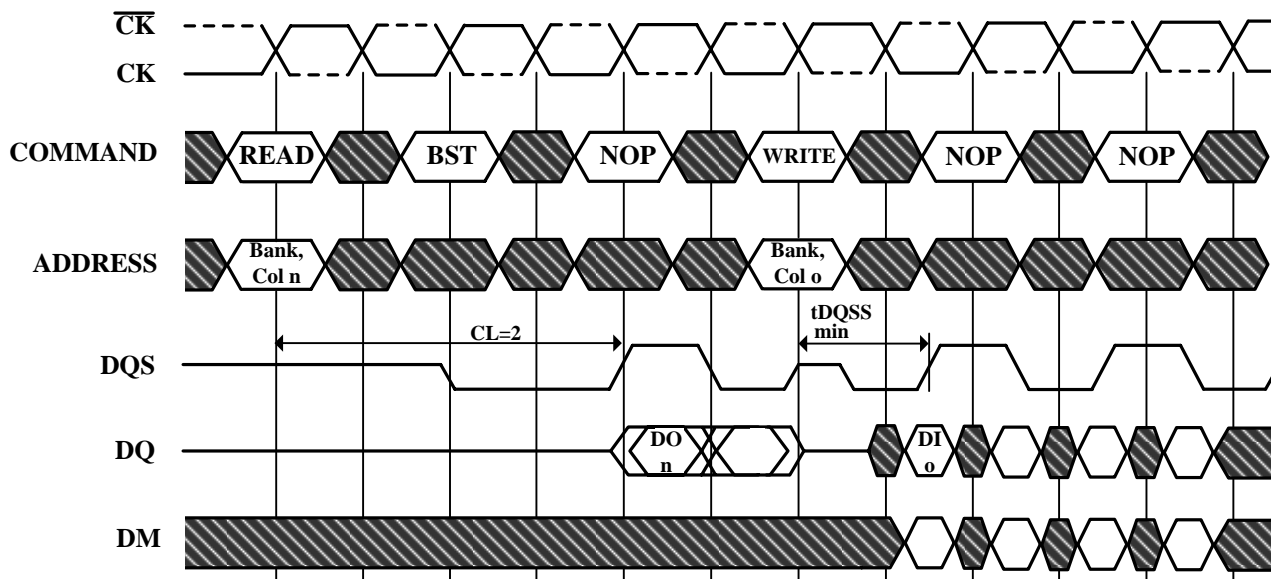
DO n = Data Out from column n

Cases shown are bursts of 8 terminated after 4 data elements

3 subsequent elements of Data Out appear in the programmed order following DO n

 Don't Care

Figure 12. Read to Write Required CAS Latencies (CL=2)



DO n (or o)= Data Out from column n (or column o)

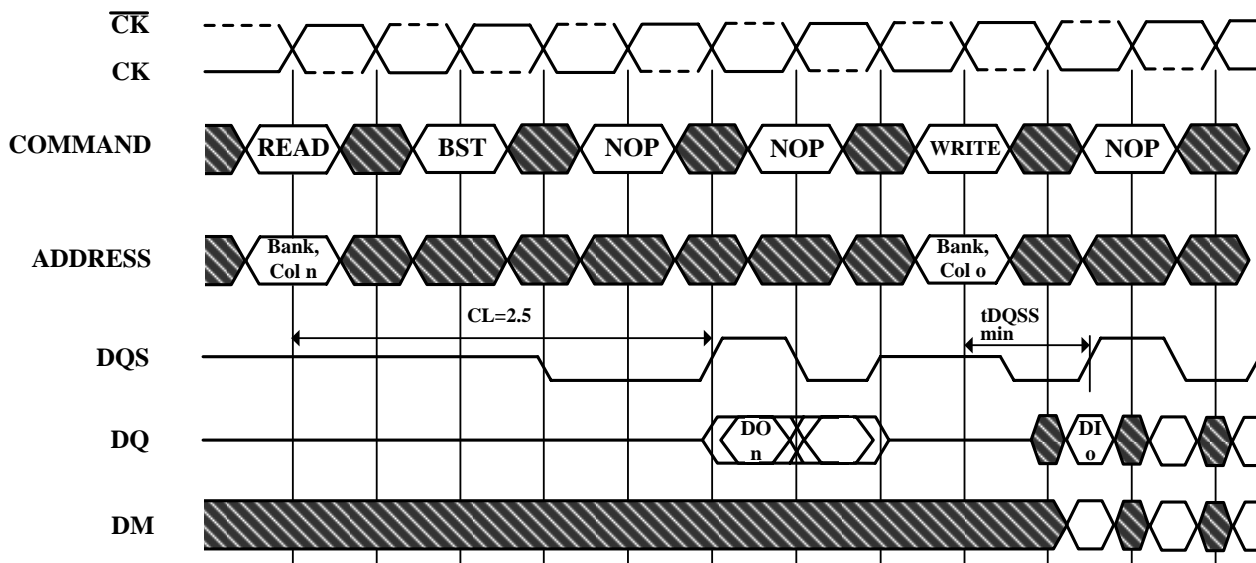
Burst Length= 4 in the cases shown (applies for bursts of 8 as well; if burst length is 2, the BST command shown can be NOP)

1 subsequent element of Data Out appears in the programmed order following DO n

Data in elements are applied following DI o in the programmed order

 Don't Care

Read to Write Required CAS Latencies (CL=2.5)



DO n (or o)= Data Out from column n (or column o)

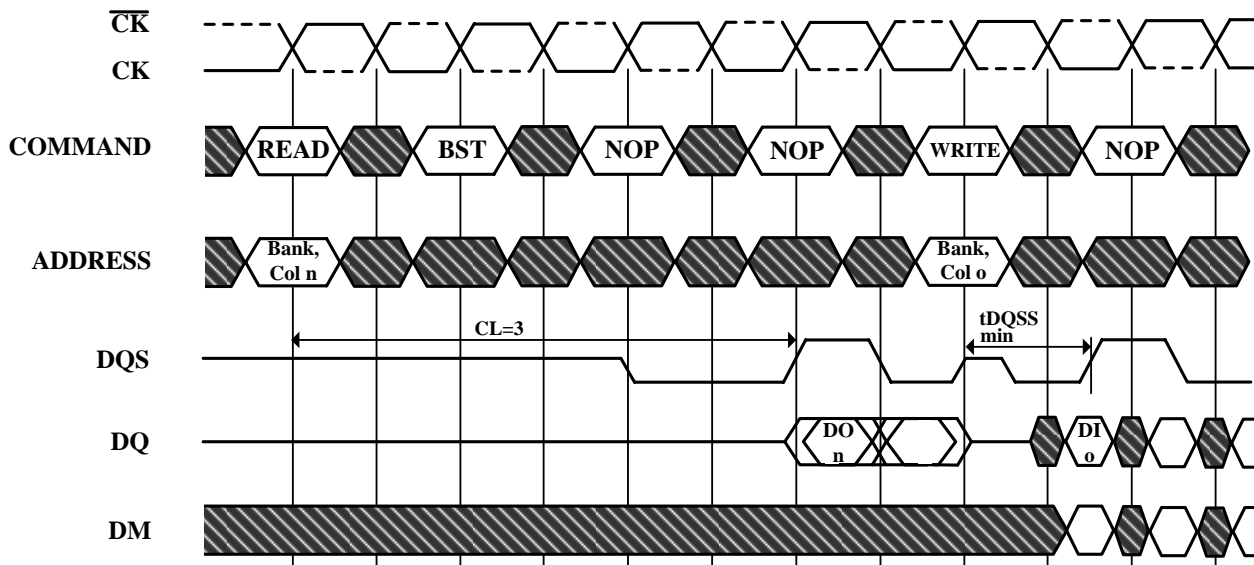
Burst Length= 4 in the cases shown (applies for bursts of 8 as well; if burst length is 2, the BST command shown can be NOP)

1 subsequent element of Data Out appears in the programmed order following DO n

Data in elements are applied following DI o in the programmed order

 Don't Care

Read to Write Required CAS Latencies (CL=3)



DO n (or o)= Data Out from column n (or column o)

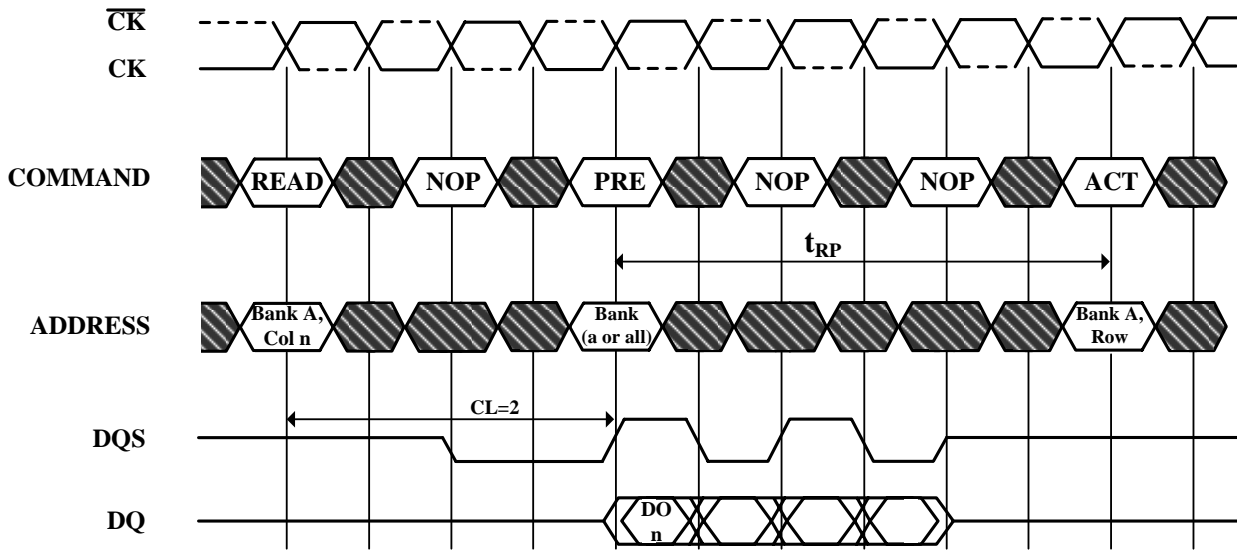
Burst Length= 4 in the cases shown (applies for bursts of 8 as well; if burst length is 2, the BST command shown can be NOP)

1 subsequent element of Data Out appears in the programmed order following DO n

Data in elements are applied following DI o in the programmed order

 Don't Care

Figure 13. Read to Precharge Required CAS Latencies (CL=2)



DO n = Data Out from column n

Cases shown are either uninterrupted bursts of 4, or interrupted bursts of 8
 3 subsequent elements of Data Out appear in the programmed order
 following DO n

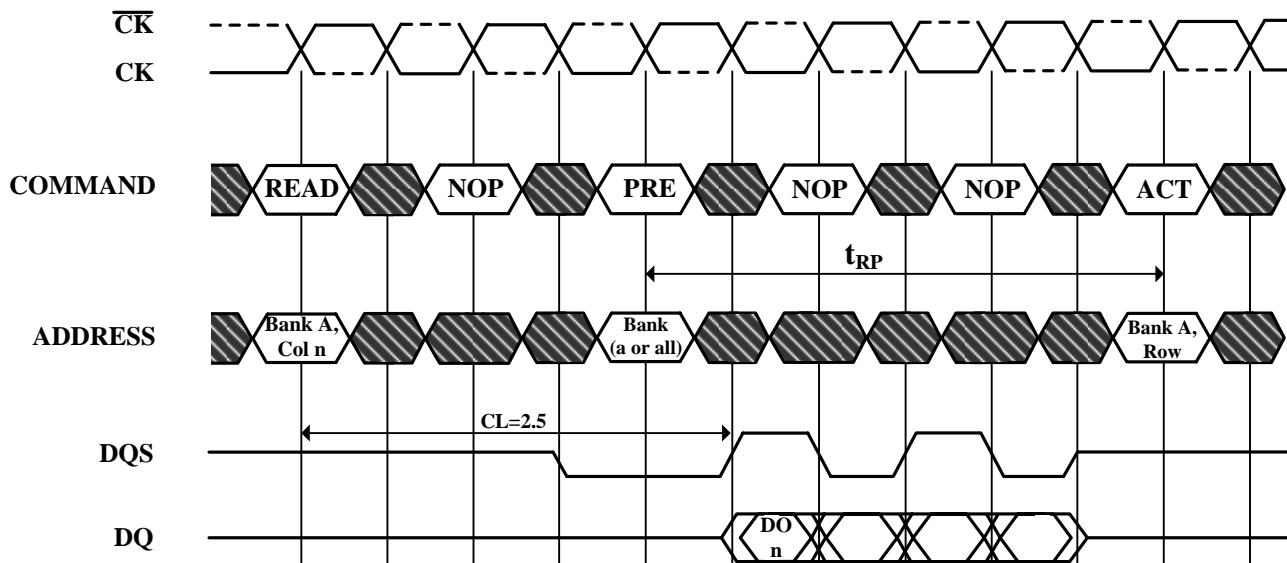
Precharge may be applied at (BL/2) tCK after the READ command

Note that Precharge may not be issued before tRAS ns after the ACTIVE
 command for applicable banks

The Active command may be applied if tRC has been met

 Don't Care

Read to Precharge Required CAS Latencies (CL=2.5)



DO n = Data Out from column n

Cases shown are either uninterrupted bursts of 4, or interrupted bursts of 8
3 subsequent elements of Data Out appear in the programmed order following DO n

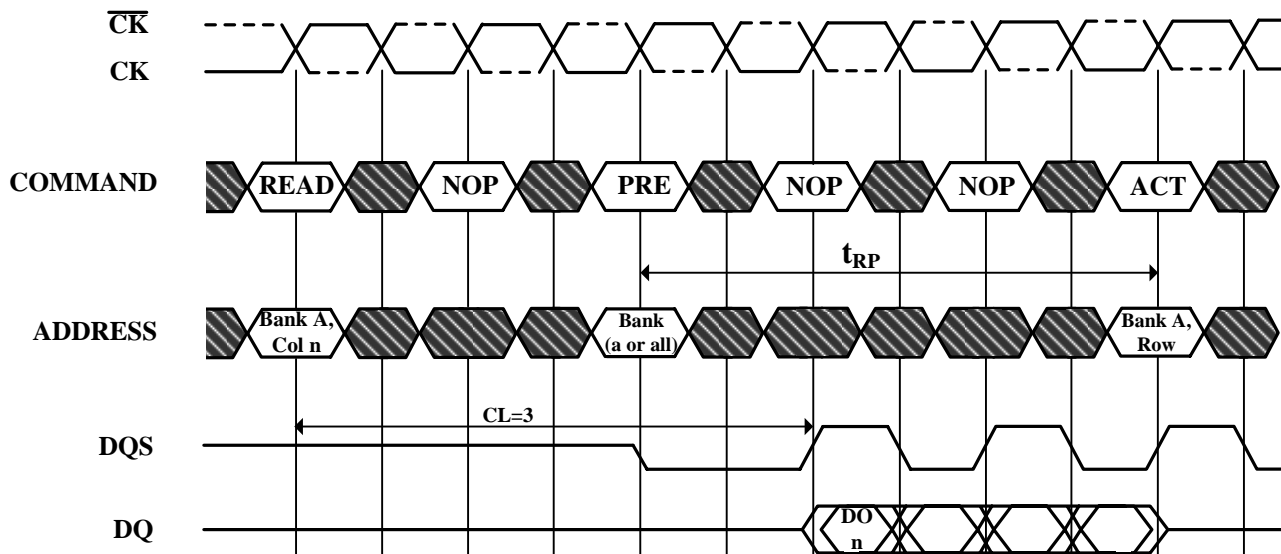
Precharge may be applied at $(BL/2) t_{CK}$ after the READ command

Note that Precharge may not be issued before t_{RAS} ns after the ACTIVE command for applicable banks

The Active command may be applied if t_{RC} has been met

 Don't Care

Read to Precharge Required CAS Latencies (CL=3)



DO n = Data Out from column n

Cases shown are either uninterrupted bursts of 4, or interrupted bursts of 8
3 subsequent elements of Data Out appear in the programmed order
following DO n

Precharge may be applied at (BL/2) tCK after the READ command

Note that Precharge may not be issued before tRAS ns after the ACTIVE
command for applicable banks

The Active command may be applied if tRC has been met

 Don't Care

Figure 14. Write Command

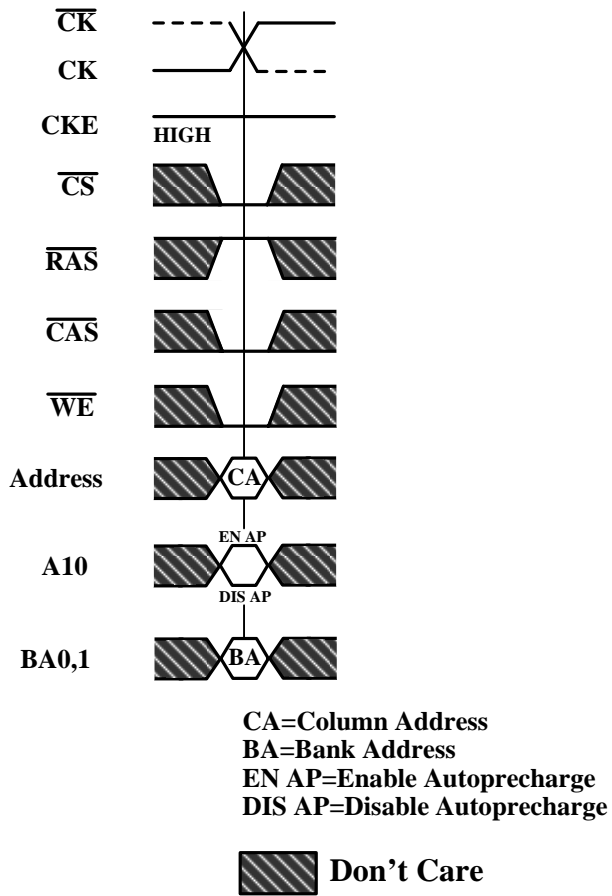
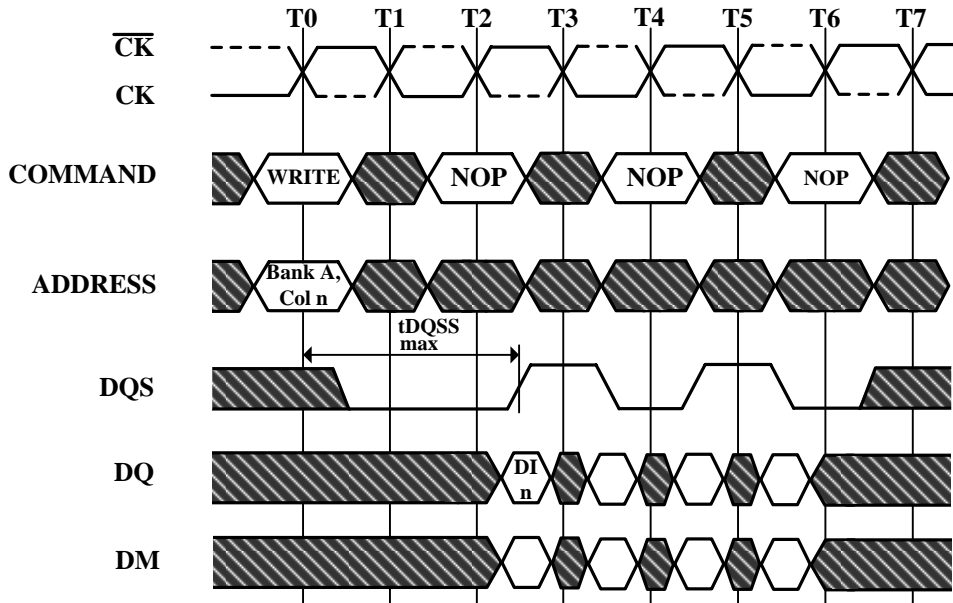


Figure 15. Write Max DQSS



DI_n = Data In for column n

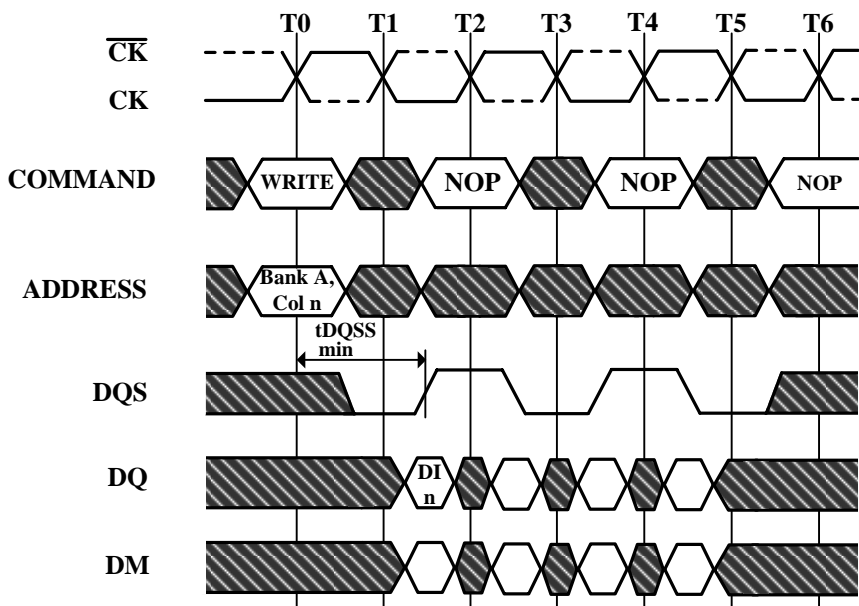
3 subsequent elements of Data In are applied in the programmed order following DI_n

A non-interrupted burst of 4 is shown

A10 is LOW with the WRITE command (AUTO PRECHARGE disabled)

 Don't Care

Figure 16. Write Min DQSS



DI n = Data In for column n

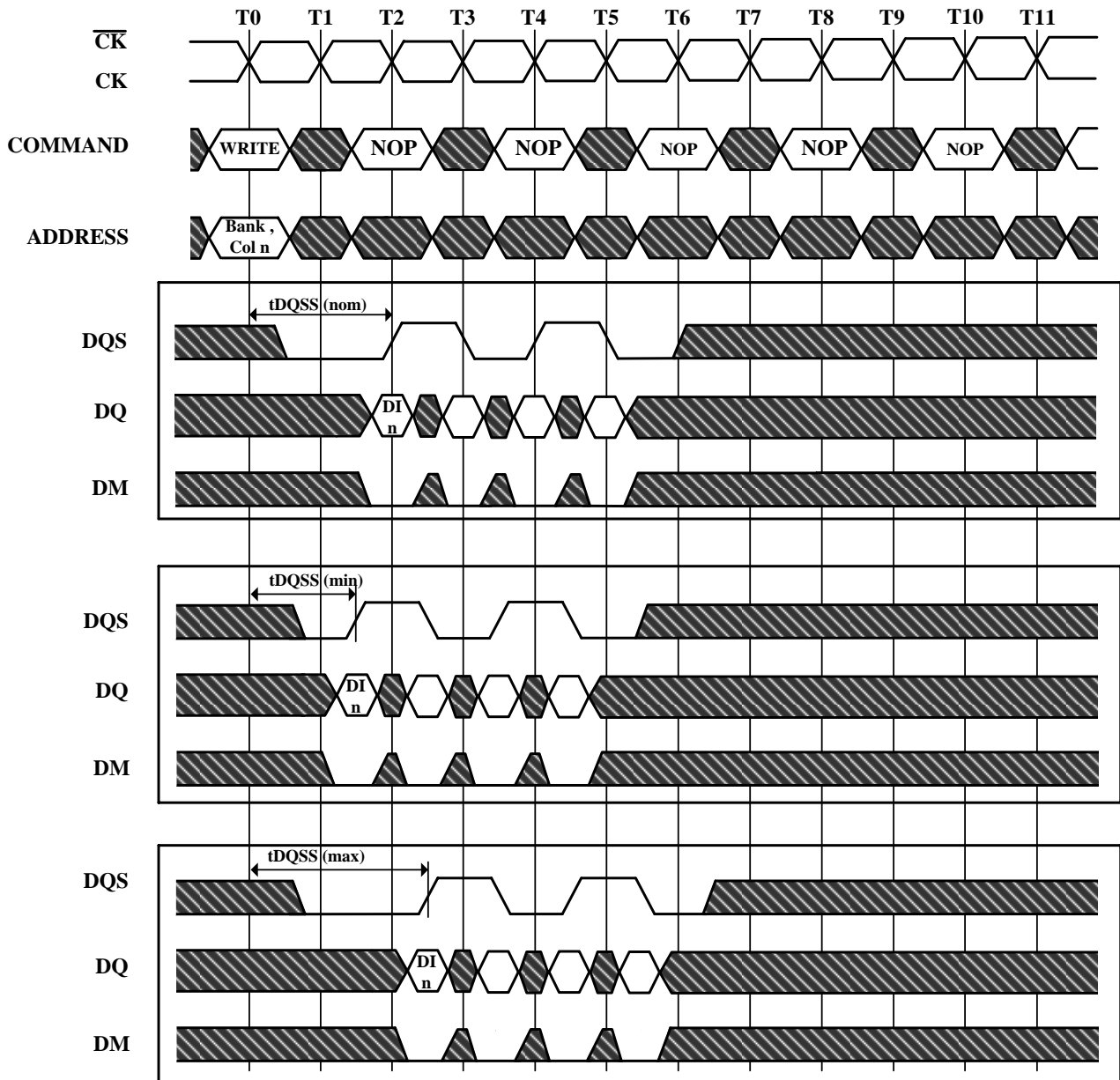
3 subsequent elements of Data In are applied in the programmed order following DI n

A non-interrupted burst of 4 is shown

A10 is LOW with the WRITE command (AUTO PRECHARGE disabled)

 Don't Care

Figure 17. Write Burst Nom, Min, and Max tDQSS



DI_n = Data In for column n

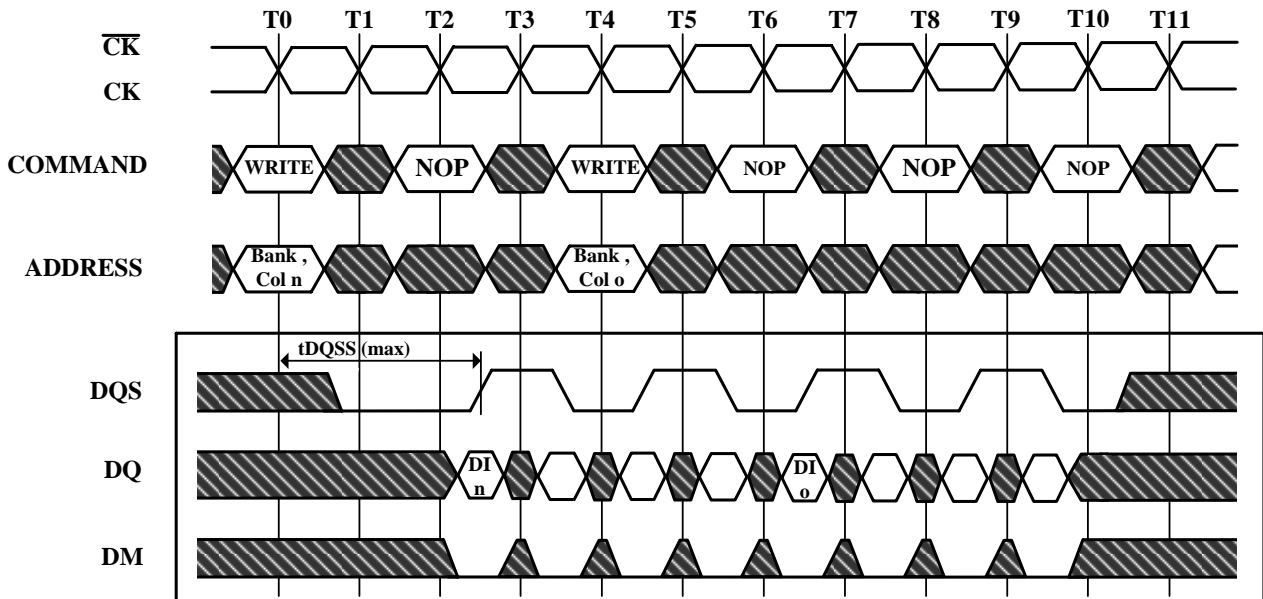
3 subsequent elements of Data are applied in the programmed order following DI_n

A non-interrupted burst of 4 is shown

A10 is LOW with the WRITE command (AUTO PRECHARGE disabled)

 Don't Care

Figure 18. Write to Write Max tDQSS



DI_n , etc. = Data In for column n, etc.

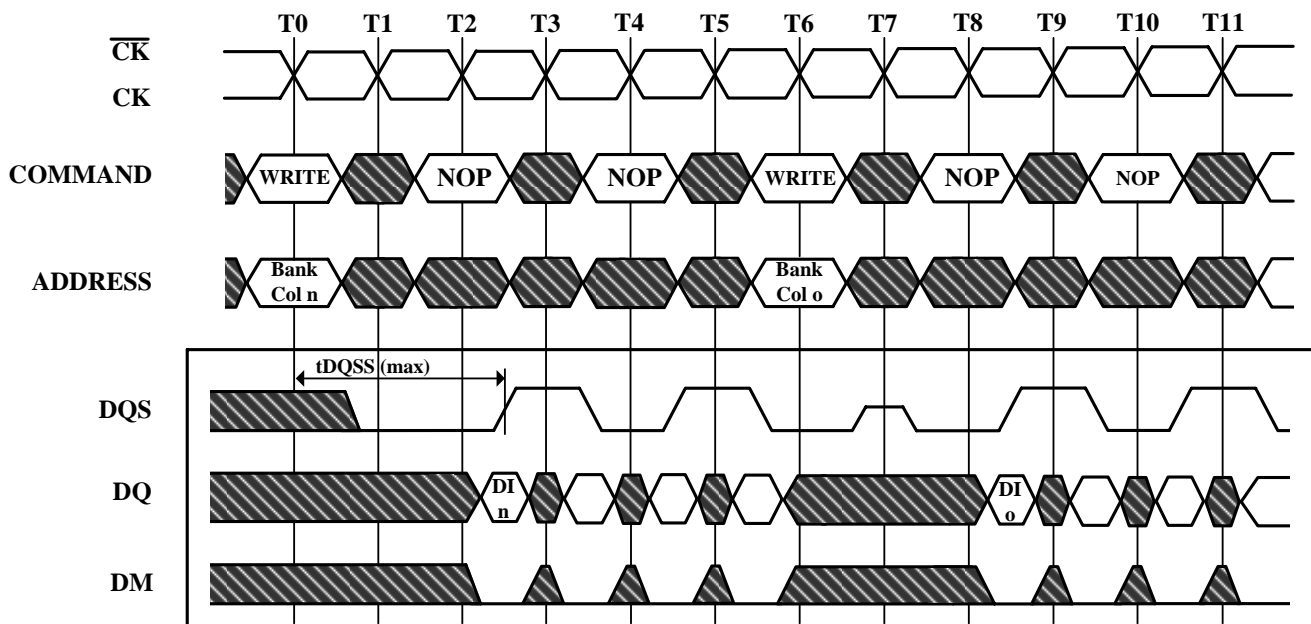
3 subsequent elements of Data In are applied in the programmed order following DI_n

3 subsequent elements of Data In are applied in the programmed order following DI_o

Non-interrupted bursts of 4 are shown

 Don't Care

Figure 19. Write to Write Max tDQSS, Non Consecutive



DI_n, etc. = Data In for column n, etc.

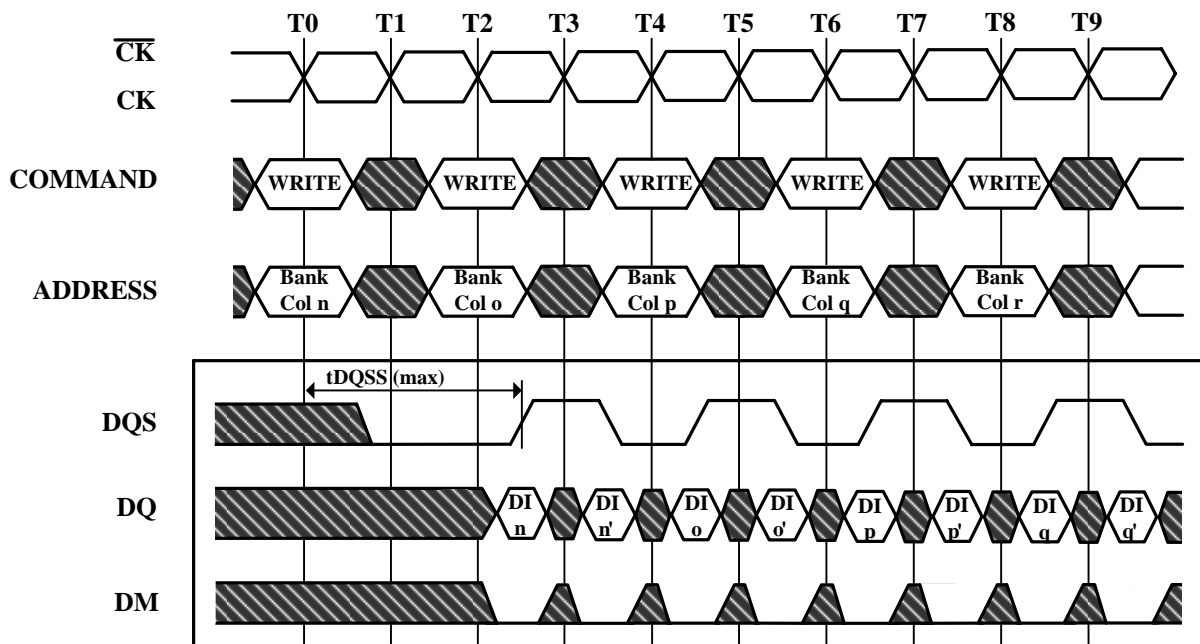
3 subsequent elements of Data In are applied in the programmed order following DI_n

3 subsequent elements of Data In are applied in the programmed order following DI_o

Non-interrupted bursts of 4 are shown

 Don't Care

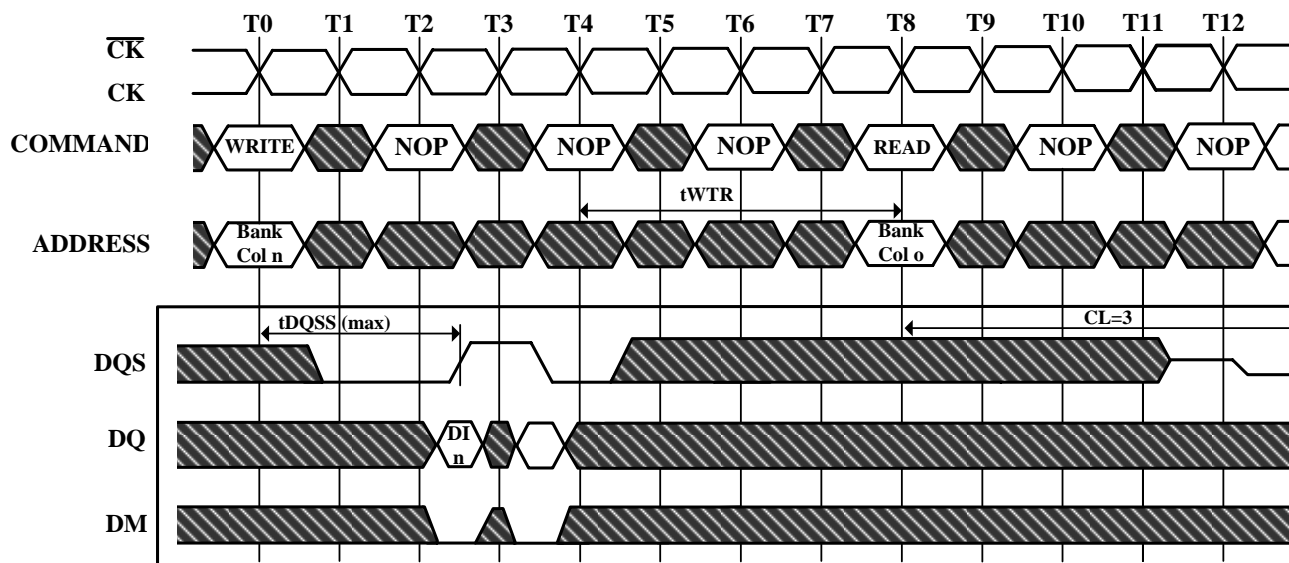
Figure 20. Random Write Cycles Max tDQSS



DI n, etc. = Data In for column n, etc.
 n', etc. = the next Data In following DI n, etc. according to the programmed burst order
 Programmed Burst Length 2, 4, or 8 in cases shown
 If burst of 4 or 8, the burst would be truncated
 Each WRITE command may be to any bank and may be to the same or different devices

 Don't Care

Figure 21. Write to Read Max tDQSS Non Interrupting



DI n, etc. = Data In for column n, etc.

1 subsequent elements of Data In are applied in the programmed order following DI n

A non-interrupted burst of 2 is shown

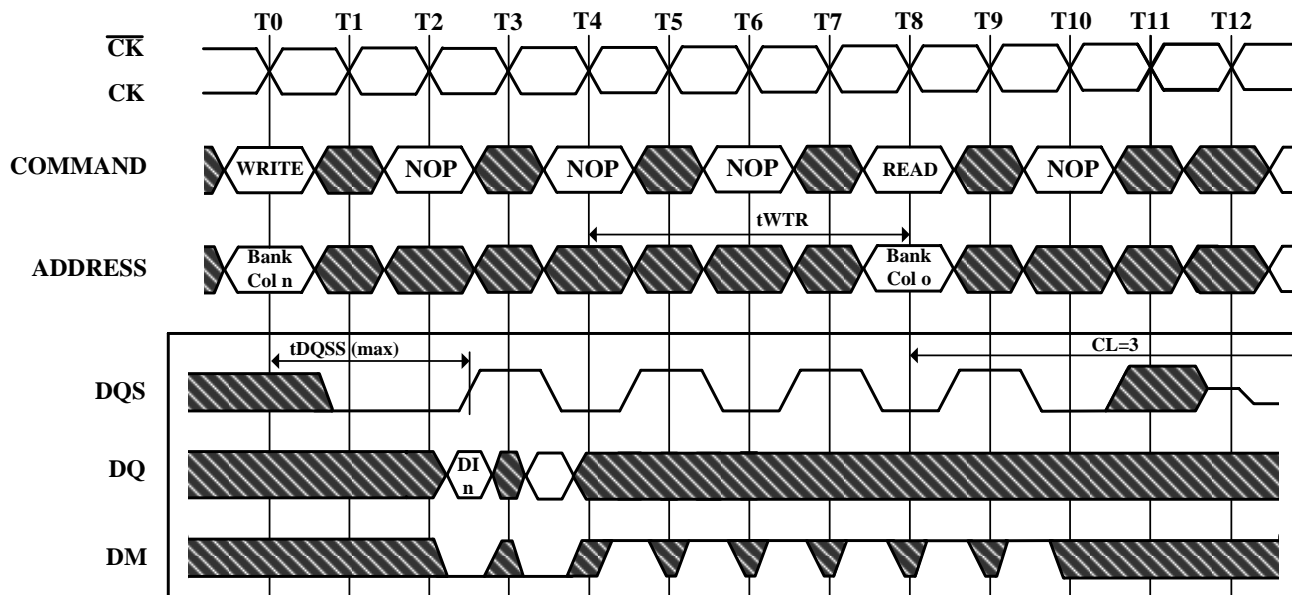
tWTR is referenced from the first positive CK edge after the last Data In Pair

A10 is LOW with the WRITE command (AUTO PRECHARGE is disabled)

The READ and WRITE commands are to the same devices but not necessarily to the same bank

 Don't Care

Figure 22. Write to Read Max tDQSS Interrupting



DI n, etc. = Data In for column n, etc.

1 subsequent elements of Data In are applied in the programmed order following DI n

An interrupted burst of 8 is shown, 2 data elements are written

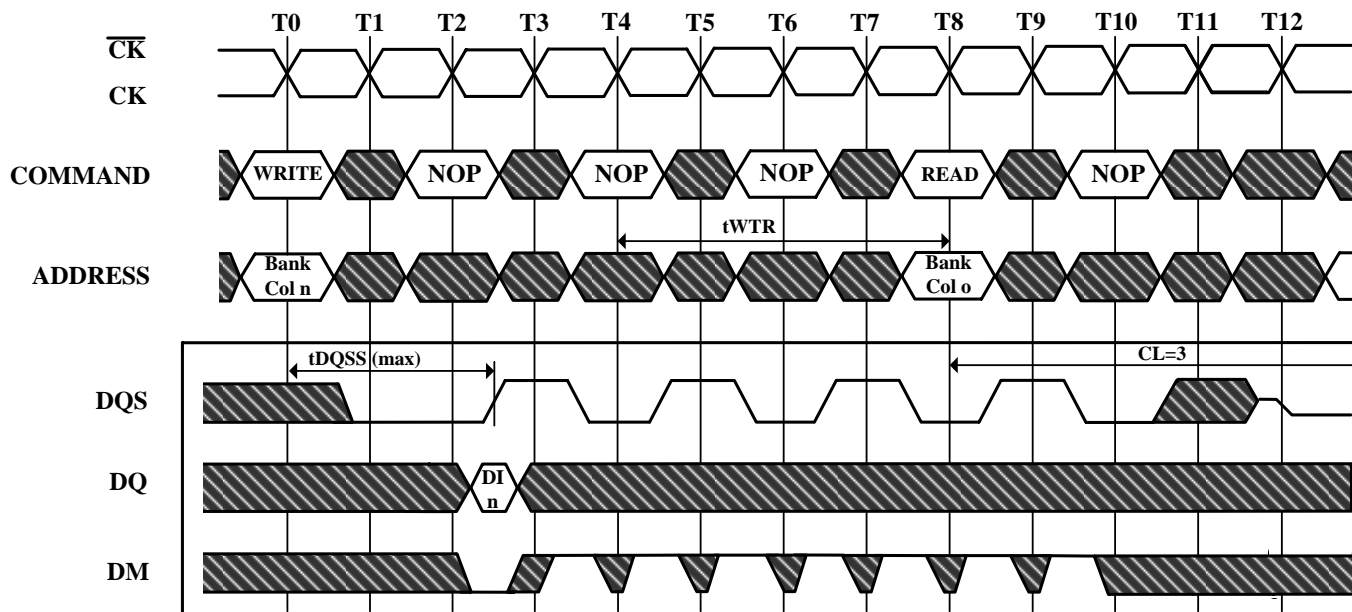
t_{WTR} is referenced from the first positive CK edge after the last Data In Pair

A10 is LOW with the WRITE command (AUTO PRECHARGE is disabled)

The READ and WRITE commands are to the same devices but not necessarily to the same bank

 Don't Care

Figure 23. Write to Read Max tDQSS, ODD Number of Data, Interrupting



DI n = Data In for column n

An interrupted burst of 8 is shown, 1 data elements are written

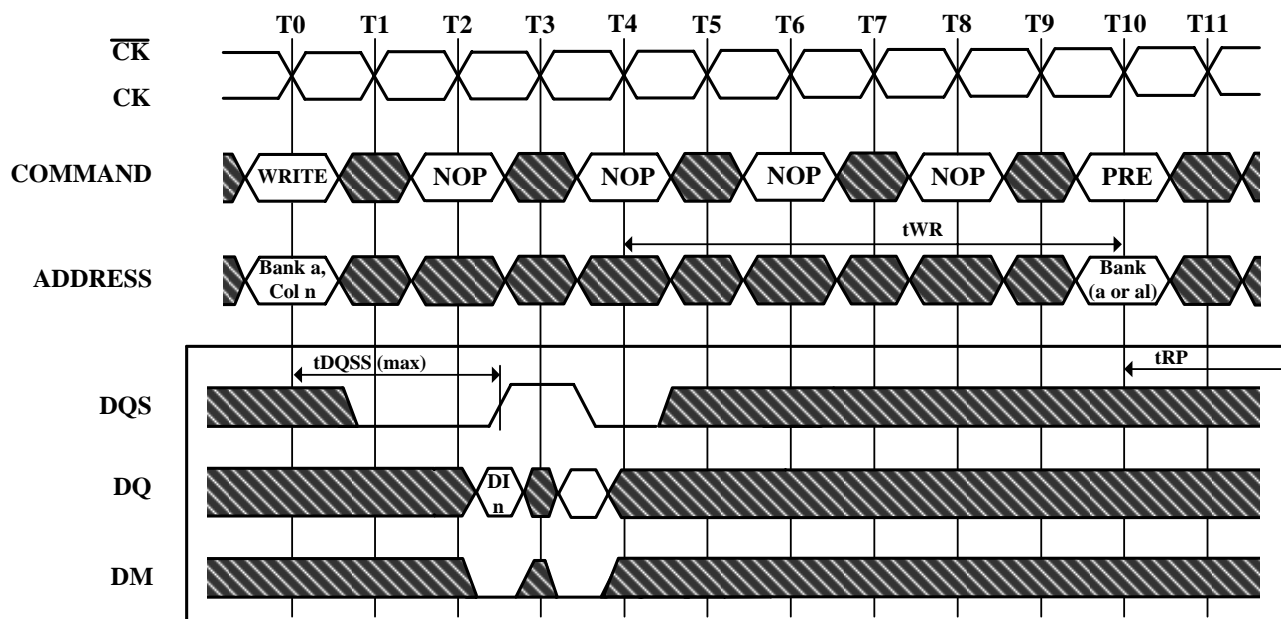
t_{WTR} is referenced from the first positive CK edge after the last Data In Pair (not the last desired Data In element)

A10 is LOW with the WRITE command (AUTO PRECHARGE is disabled)

The READ and WRITE commands are to the same devices but not necessarily to the same bank

 Don't Care

Figure 24. Write to Precharge Max tDQSS, NON- Interrupting



DI_n = Data In for column n

1 subsequent elements of Data In are applied in the programmed order following DI_n

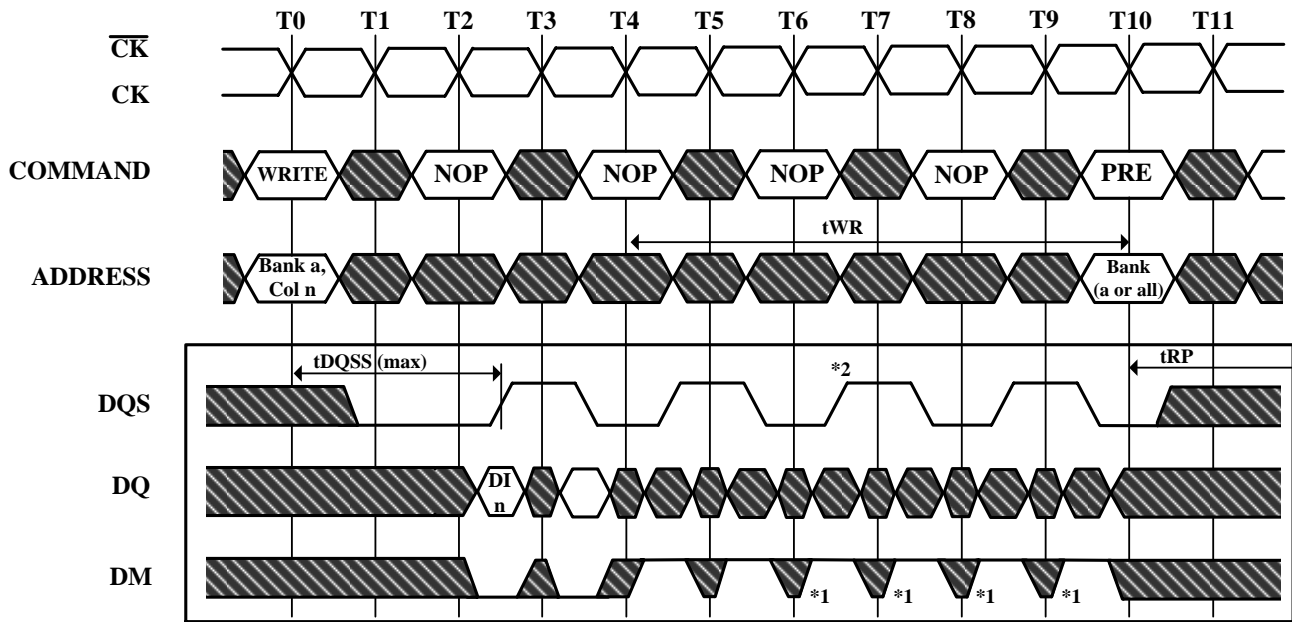
A non-interrupted burst of 2 is shown

t_{WR} is referenced from the first positive CK edge after the last Data In Pair

A10 is LOW with the WRITE command (AUTO PRECHARGE is disabled)

 Don't Care

Figure 25. Write to Precharge Max tDQSS, Interrupting



DI_n = Data In for column n

An interrupted burst of 4 or 8 is shown, 2 data elements are written

tWR is referenced from the first positive CK edge after the last Data In Pair

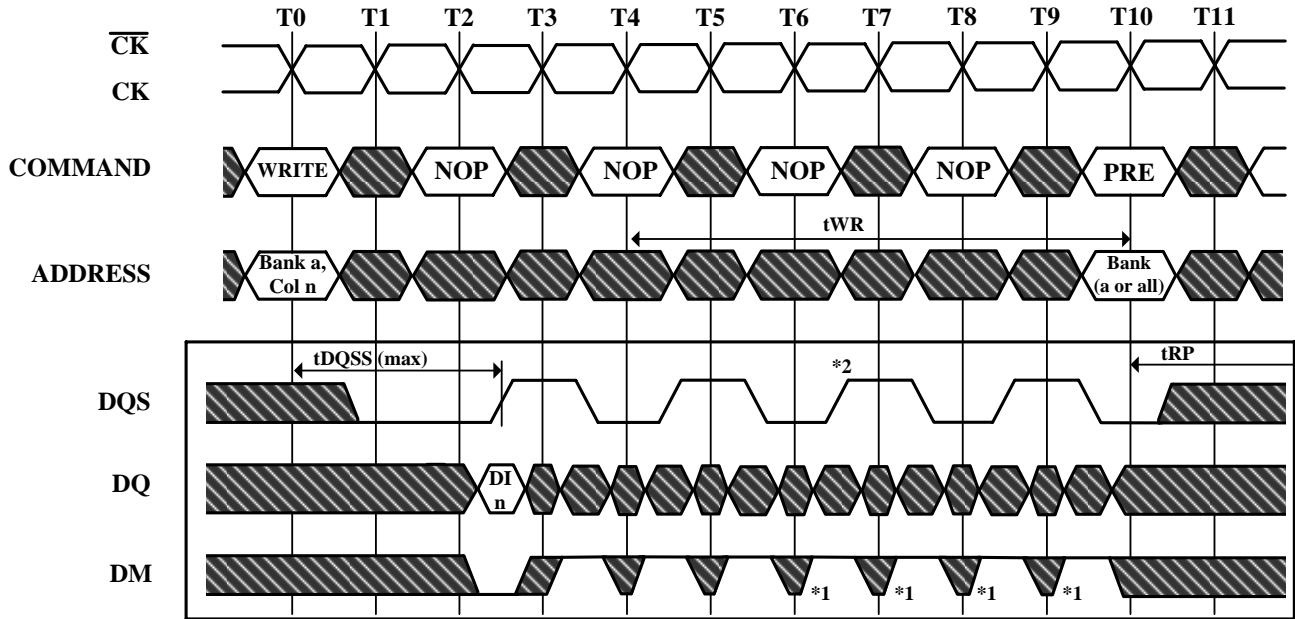
A10 is LOW with the WRITE command (AUTO PRECHARGE is disabled)

*1 = can be don't care for programmed burst length of 4

*2 = for programmed burst length of 4, DQS becomes don't care at this point

 Don't Care

Figure 26. Write to Precharge Max tDQSS ODD Number of Data Interrupting



DI n = Data In for column n

An interrupted burst of 4 or 8 is shown, 1 data element is written

t_{WR} is referenced from the first positive CK edge after the last Data In Pair

A10 is LOW with the WRITE command (AUTO PRECHARGE is disabled)

*1 = can be don't care for programmed burst length of 4

*2 = for programmed burst length of 4, DQS becomes don't care at this point

Don't Care

Figure 27. Precharge Command

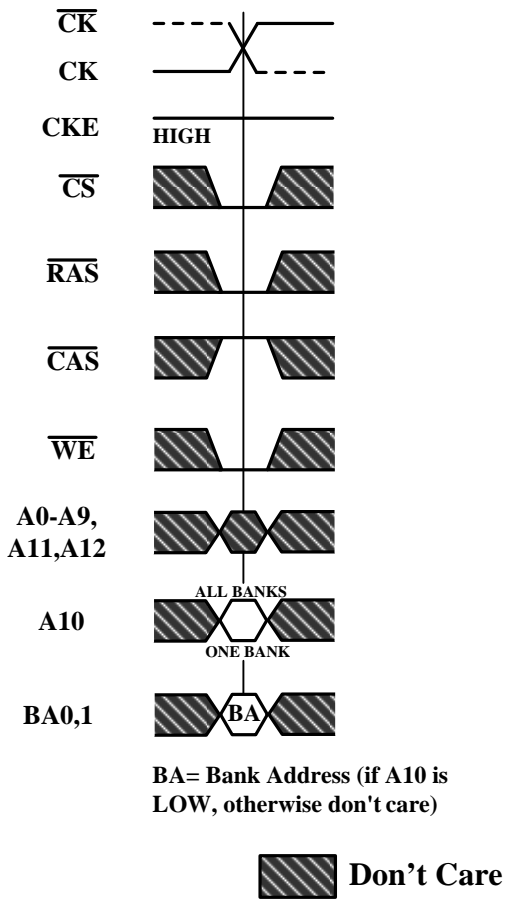


Figure 28. Power-Down

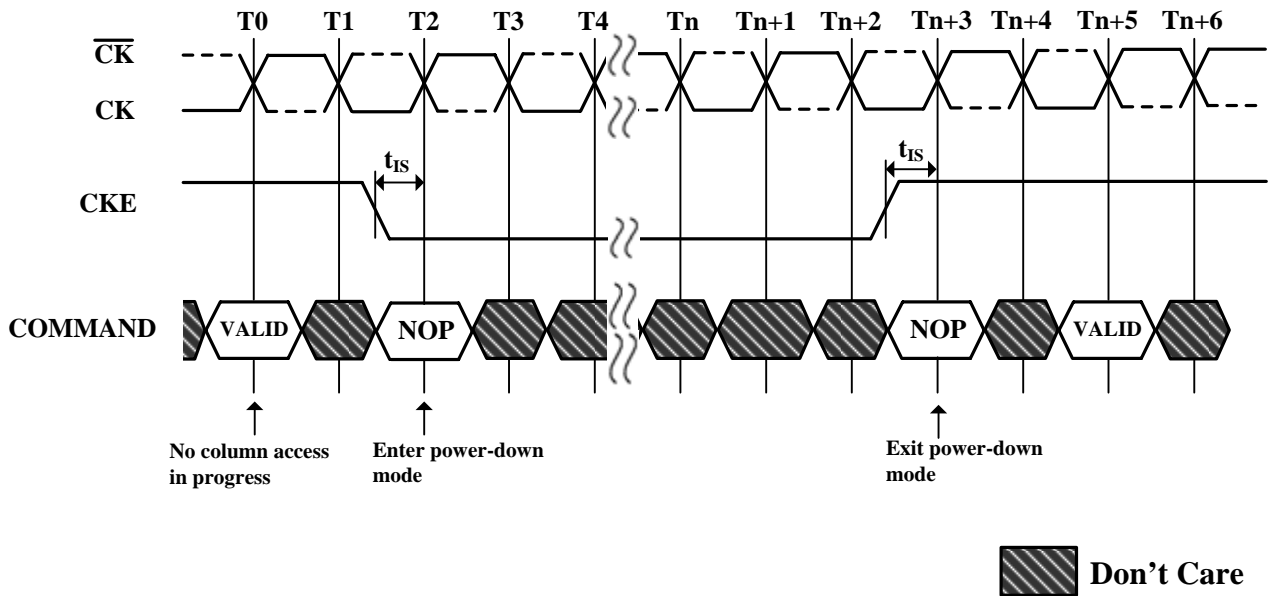


Figure 29. Clock Frequency Change in Precharge

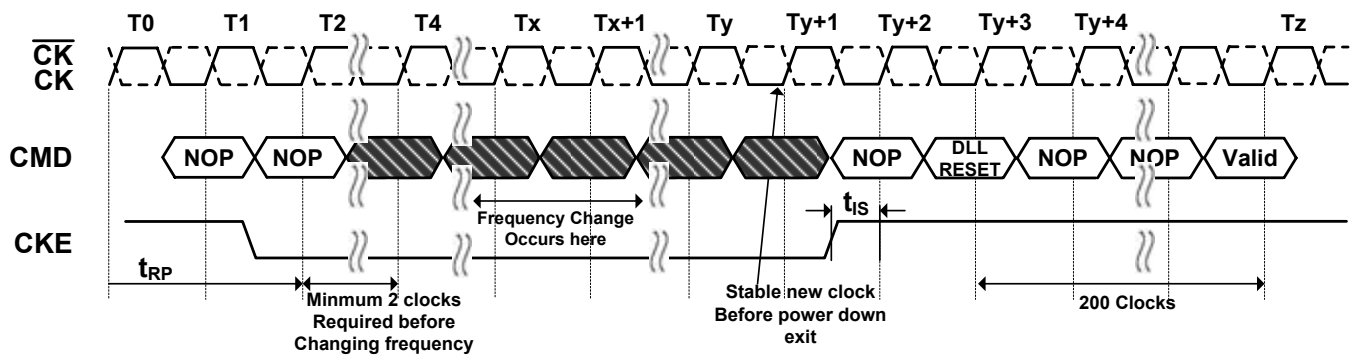
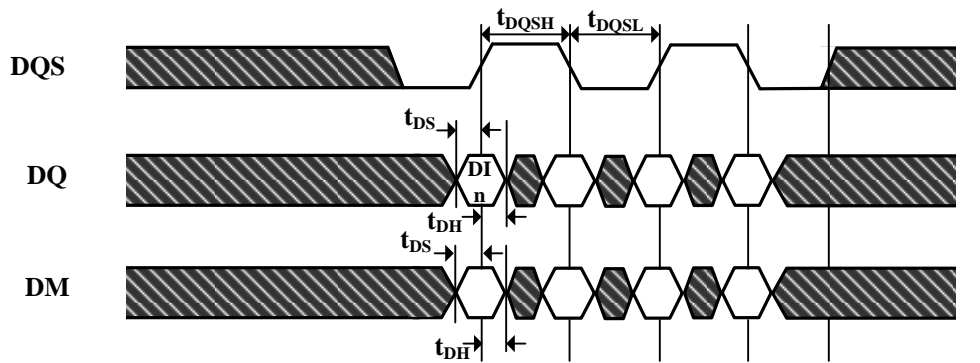


Figure 30. Data input (Write) Timing



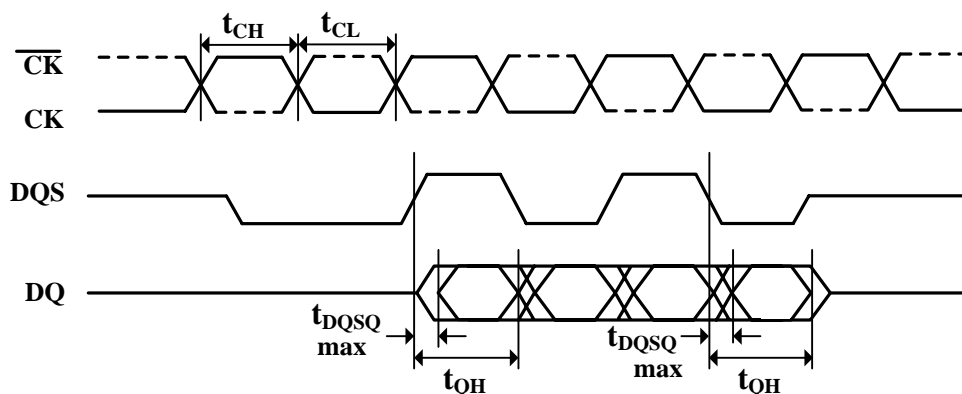
DI n = Data In for column n

Burst Length = 4 in the case shown

3 subsequent elements of Data In are applied in the programmed order following DI n

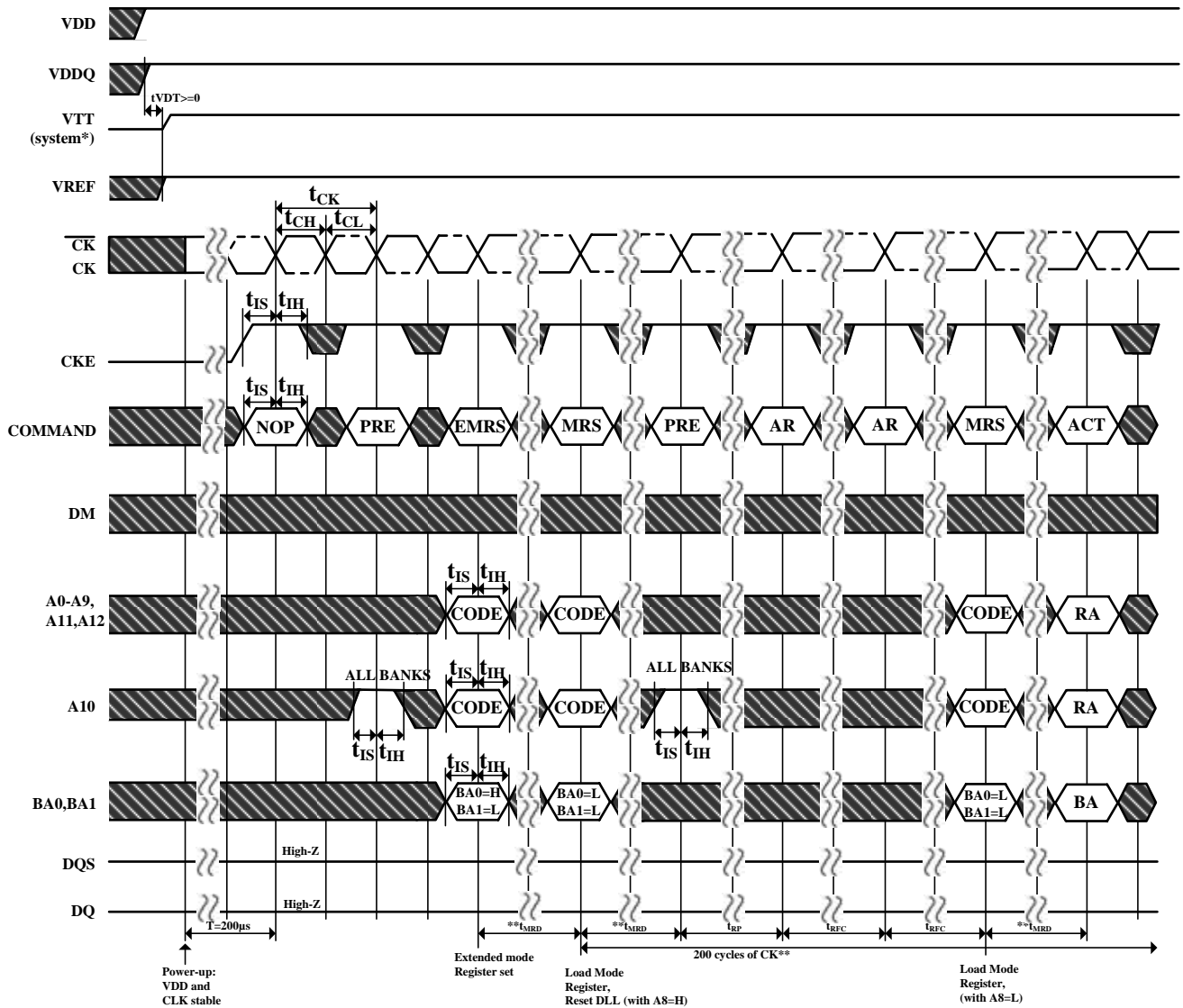
 Don't Care

Figure 31. Data Output (Read) Timing



Burst Length = 4 in the case shown

Figure 32. Initialize and Mode Register Sets



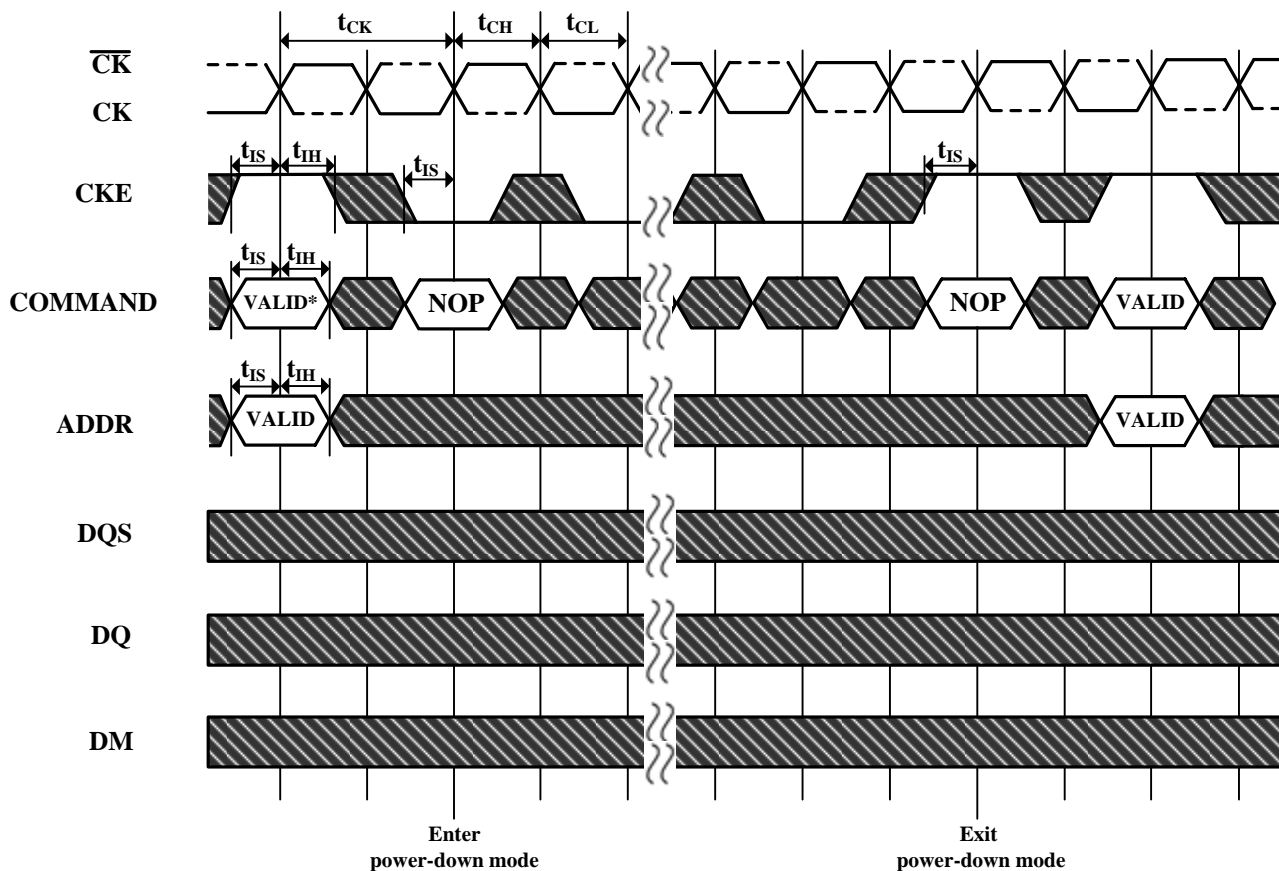
*=VTT is not applied directly to the device, however tVTD must be greater than or equal to zero to avoid device latch-up

**=tMRD is required before any command can be applied, and 200 cycles of CK are required before any executable command can be applied

The two Auto Refresh commands may be moved to follow the first MRS but precede the second PRECHARGE ALL command

 Don't Care

Figure 33. Power Down Mode

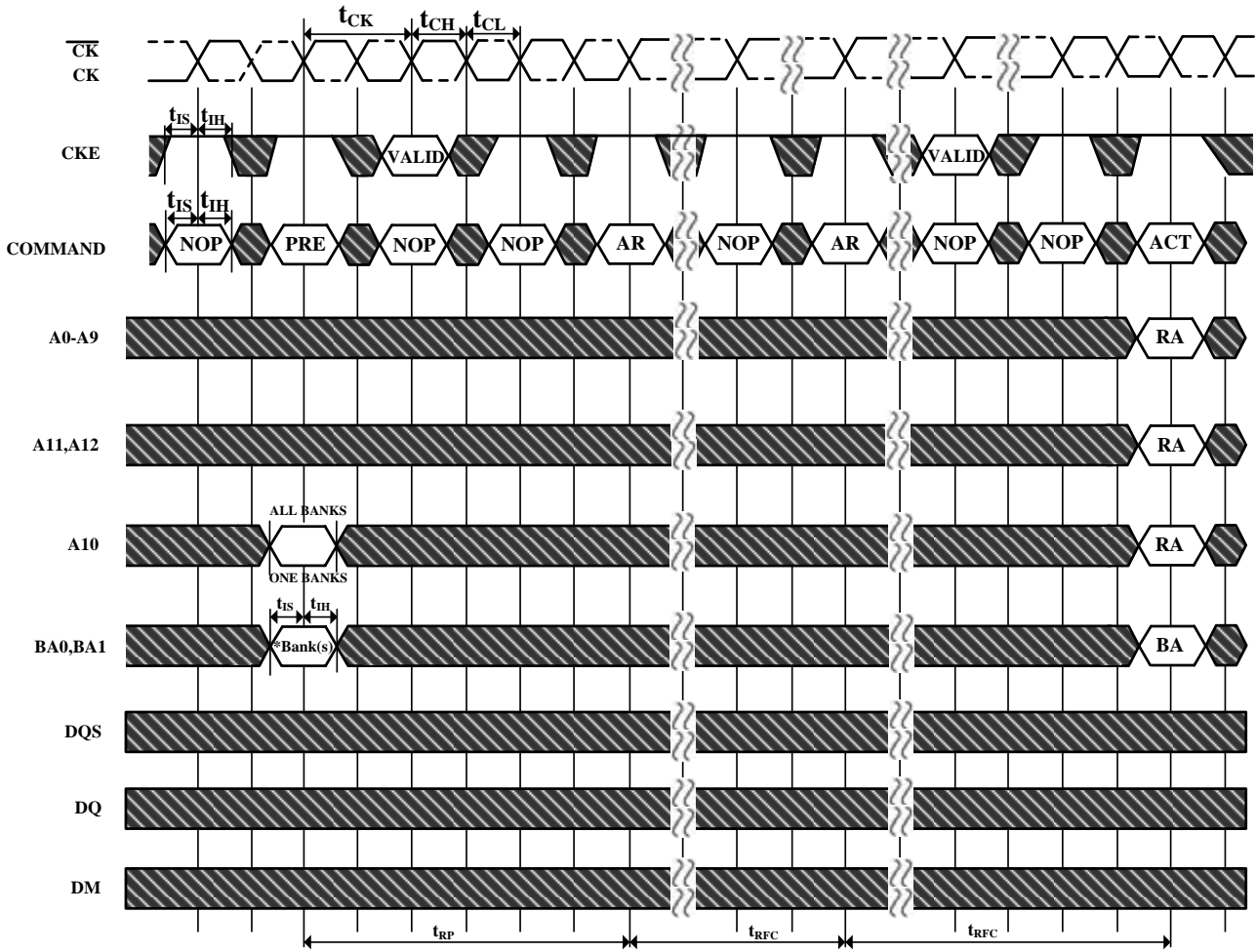


No column accesses are allowed to be in progress at the time Power-Down is entered

*-If this command is a PRECHARGE ALL (or if the device is already in the idle state) then the Power-Down mode shown is Precharge Power Down. If this command is an ACTIVE (or if at least one row is already active) then the Power-Down mode shown is active Power Down.

 Don't Care

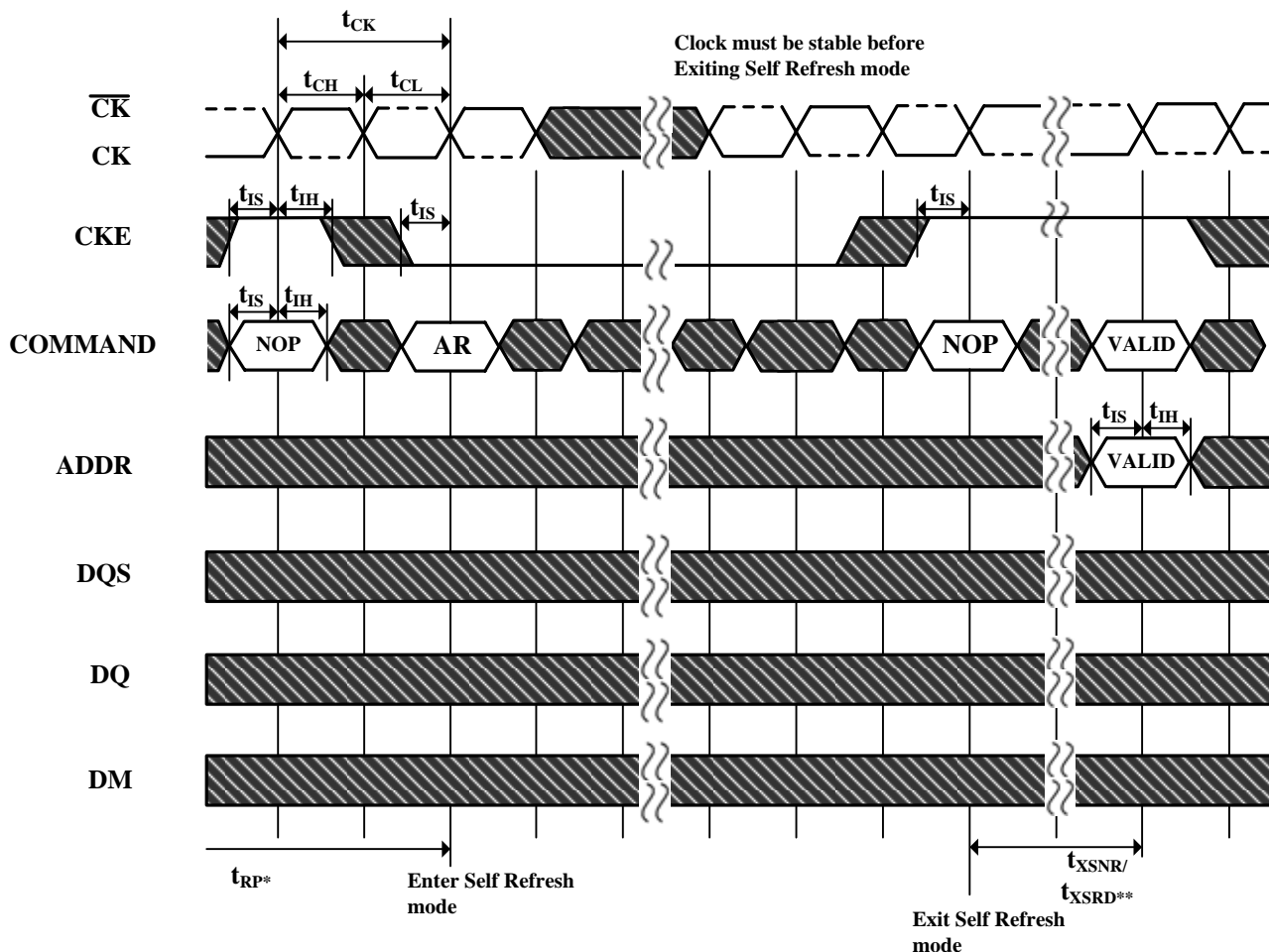
Figure 34. Auto Refresh Mode



* = "Don't Care" , if A10 is HIGH at this point; A10 must be HIGH if more than one bank is active (i.e., must precharge all active banks)
 PRE = PRECHARGE, ACT = ACTIVE, RA = Row Address, BA = Bank Address, AR = AUTOREFRESH
 NOP commands are shown for ease of illustration; other valid commands may be possible after tRFC
 DM, DQ and DQS signals are all "Don't Care" /High-Z for operations shown

 Don't Care

Figure 35. Self Refresh Mode

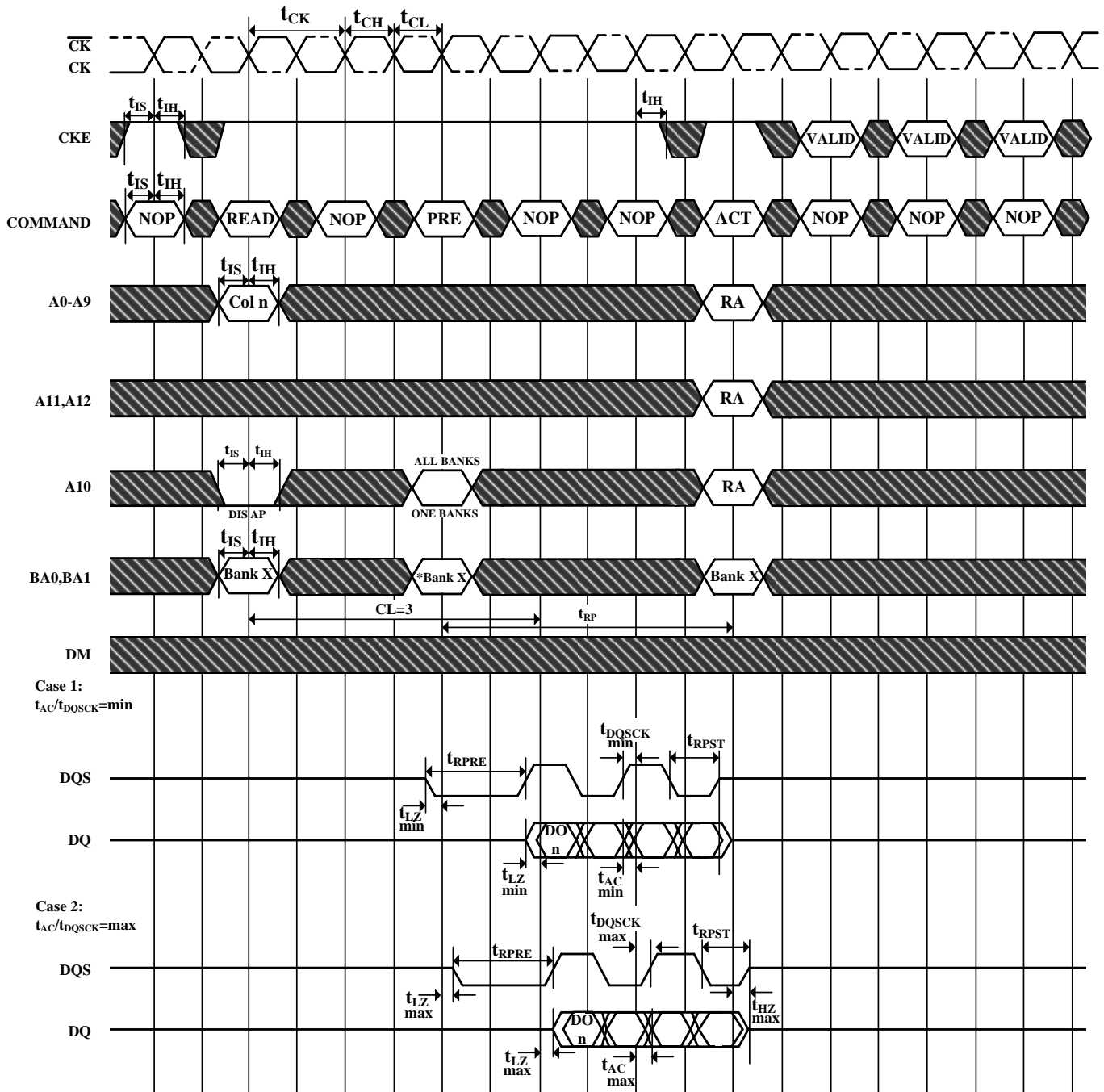


* = Device must be in the "All banks idle" state prior to entering Self Refresh mode

** = t_{XSNR} is required before any non-READ command can be applied, and t_{XSRD} (200 cycles of CK) is required before a READ command can be applied.

 Don't Care

Figure 36. Read without Auto Precharge



DO n = Data Out from column n

Burst Length = 4 in the case shown

3 subsequent elements of Data Out are provided in the programmed order following DO n

DIS AP = Disable Autoprecharge

* = "Don't Care", if A10 is HIGH at this point

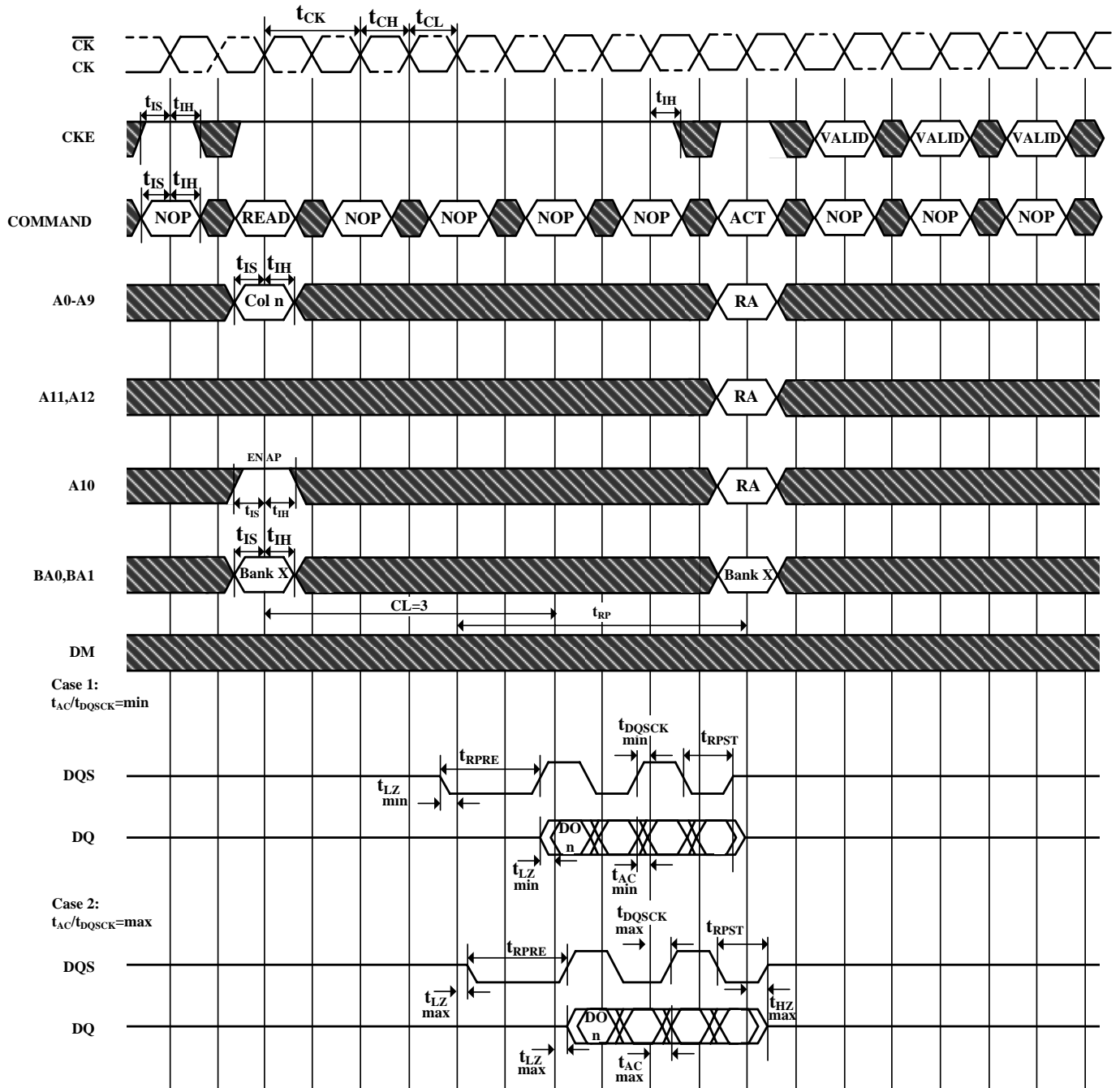
PRE = PRECHARGE, ACT = ACTIVE, RA = Row Address, BA = Bank Address, AR = AUTOREFRESH

NOP commands are shown for ease of illustration; other commands may be valid at these times

Precharge may not be issued before t_{RAS} ns after the ACTIVE command for applicable banks

 Don't Care

Figure 37. Read with Auto Precharge



DO n = Data Out from column n

Burst Length = 4 in the case shown

3 subsequent elements of Data Out are provided in the programmed order following DO n

EN AP = Enable Autoprecharge

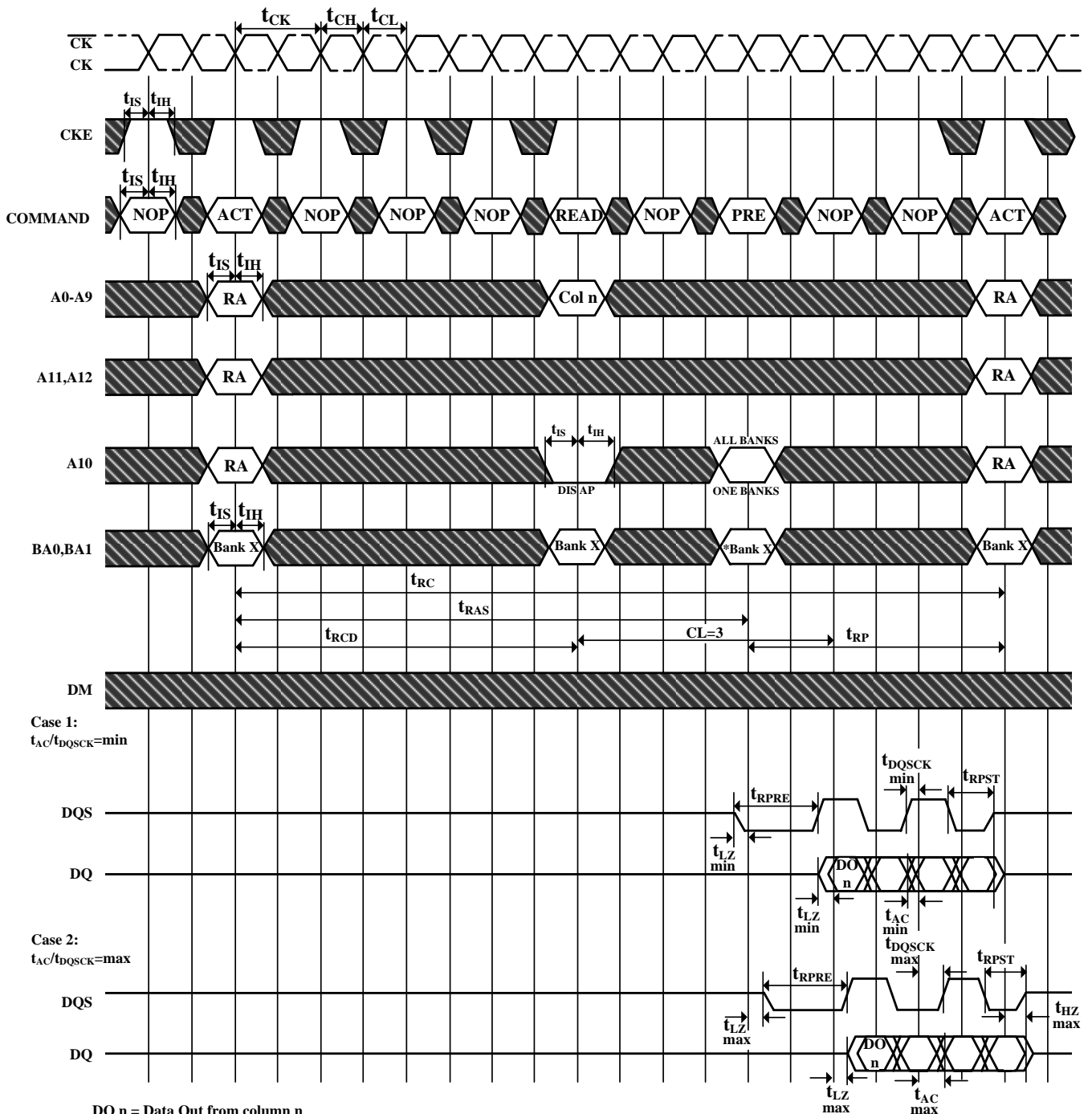
ACT = ACTIVE, RA = Row Address

NOP commands are shown for ease of illustration; other commands may be valid at these times

The READ command may not be issued until t_{RAP} has been satisfied. If Fast Autoprecharge is supported, $t_{RAP} = t_{RCD}$, else the READ may not be issued prior to $t_{RASmin} - (BL * t_{CK} / 2)$

 Don't Care

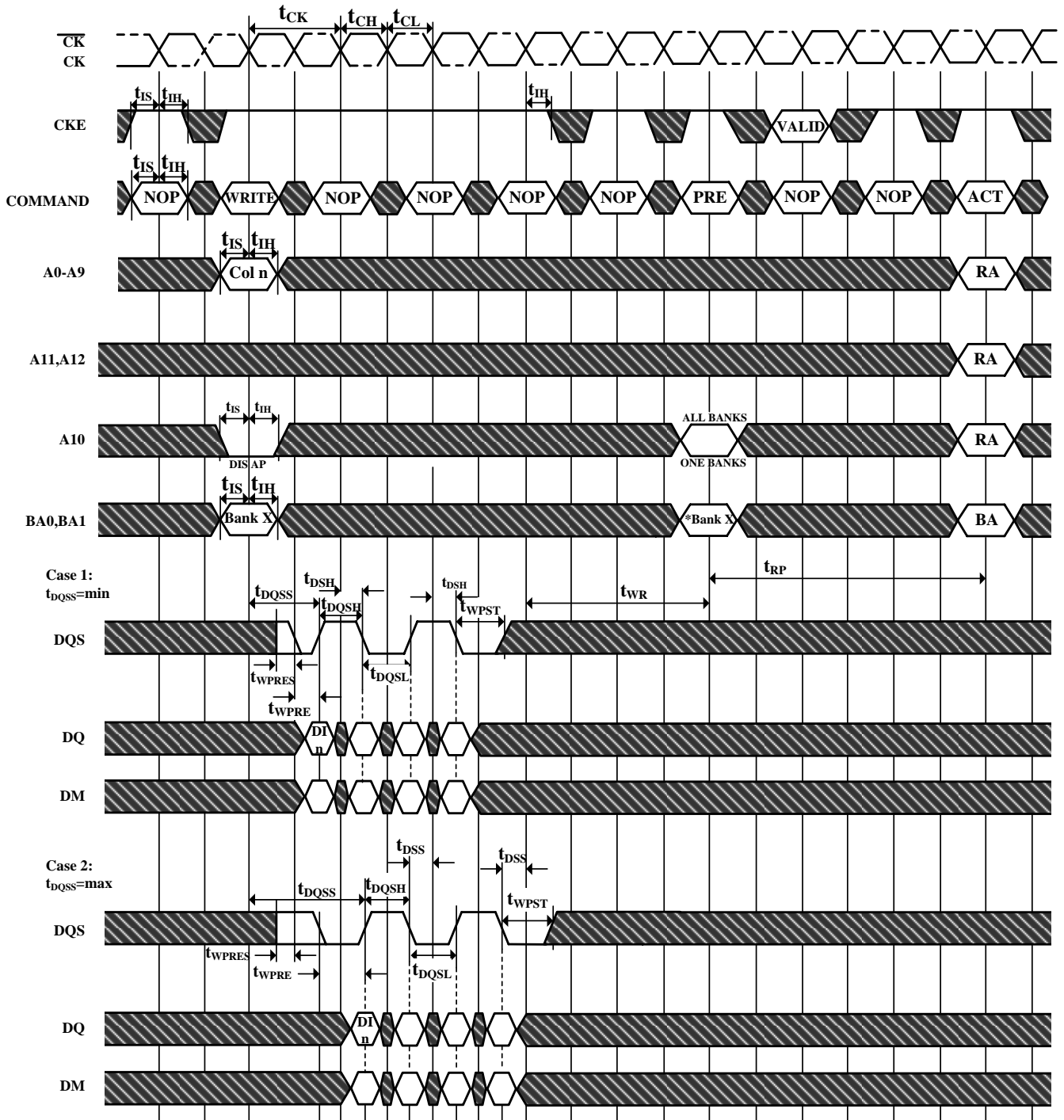
Figure 38. Bank Read Access



DO n = Data Out from column n
 Burst Length = 4 in the case shown
 3 subsequent elements of Data Out are provided in the programmed order following DO n
 DIS AP = Disable Autoprecharge
 * = " Don't Care" , if A10 is HIGH at this point
 PRE = PRECHARGE, ACT = ACTIVE, RA = Row Address, BA = Bank Address
 NOP commands are shown for ease of illustration; other commands may be valid at these times
 Note that $t_{RCD} > t_{RCD\ MIN}$ so that the same timing applies if Autoprecharge is enabled (in which case t_{RAS} would be limiting)

 Don't Care

Figure 39. Write without Auto Precharge



DI n = Data In from column n

Burst Length = 4 in the case shown

3 subsequent elements of Data In are provided in the programmed order following DI n

DIS AP = Disable Autoprecharge

*=" Don't Care" , if A10 is HIGH at this point

PRE = PRECHARGE, ACT = ACTIVE, RA = Row Address, BA = Bank Address, AR = AUTOREFRESH

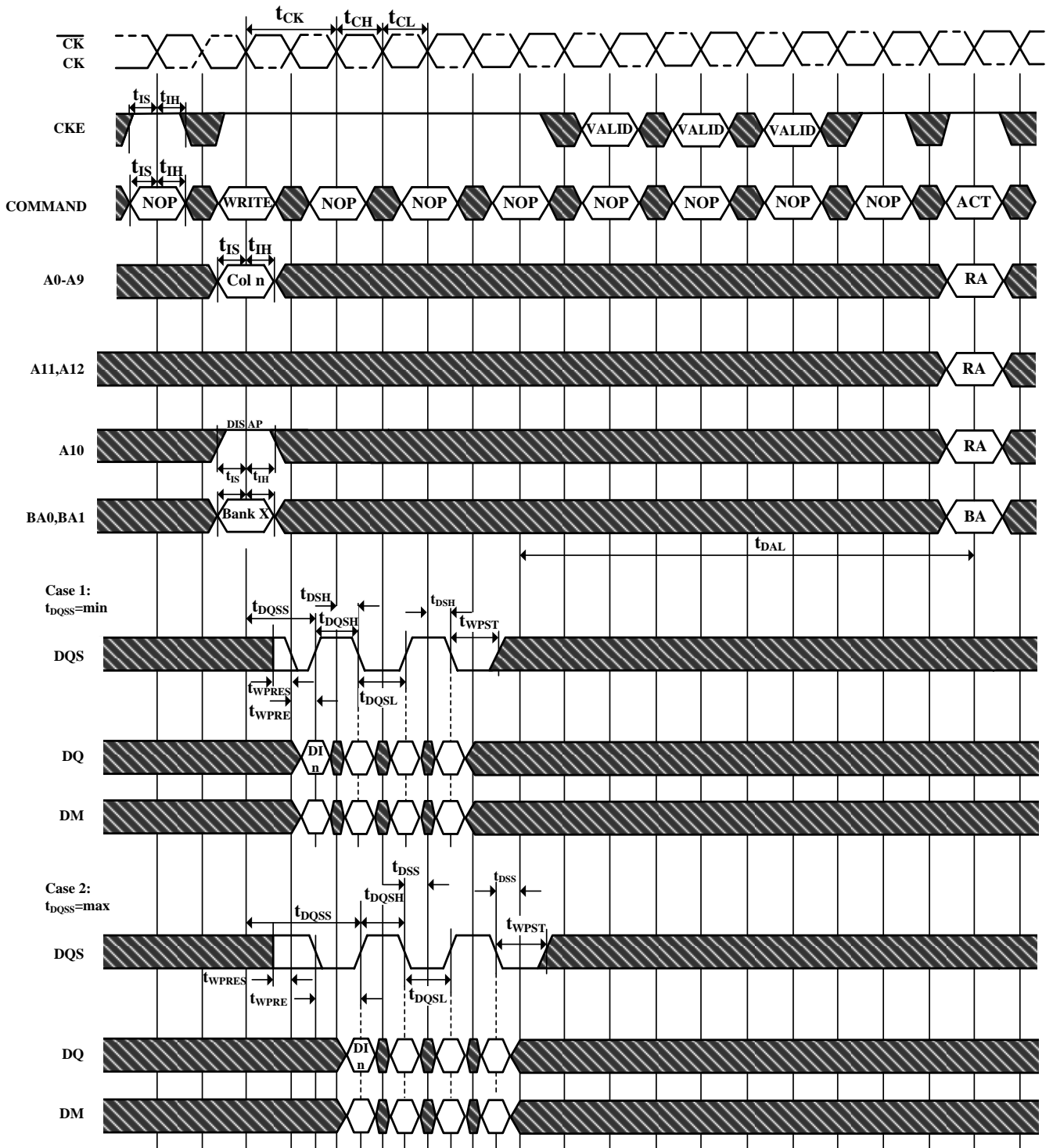
NOP commands are shown for ease of illustration; other commands may be valid at these times

Although t_{DQSS} is drawn only for the first DQS rising edge, each rising edge of DQS must fall within the $\pm 25\%$ window of the corresponding positive clock edge

Precharge may not be issued before t_{RAS} ns after the ACTIVE command for applicable banks

 Don't Care

Figure 40. Write with Auto Precharge



DI n = Data In from column n

Burst Length = 4 in the case shown

3 subsequent elements of Data Out are provided in the programmed order following DI n

EN AP = Enable Autoprecharge

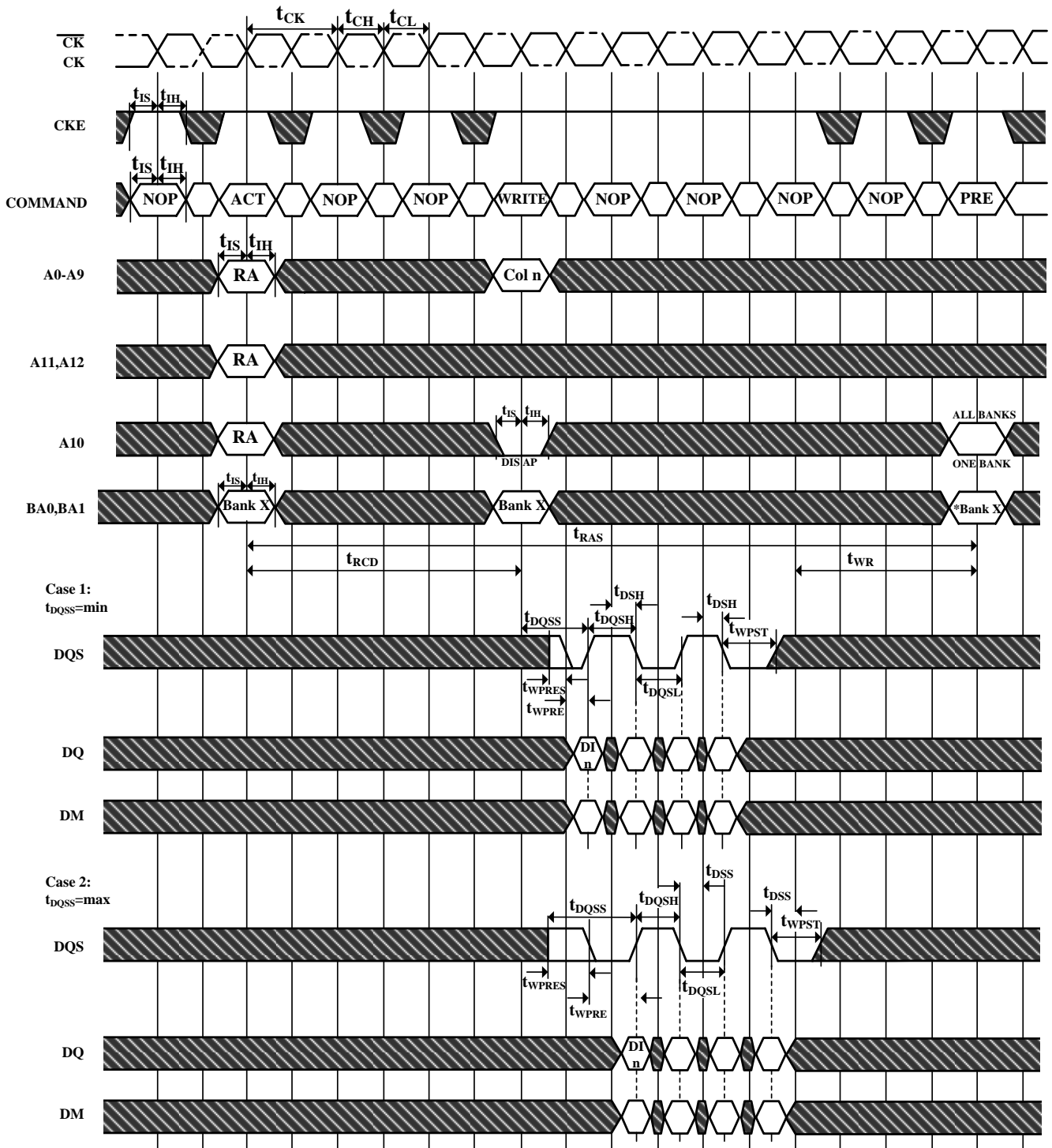
ACT = ACTIVE, RA = Row Address, BA = Bank Address

NOP commands are shown for ease of illustration; other commands may be valid at these times

Although tDQSS is drawn only for the first DQS rising edge, each rising edge of DQS must fall within the $\pm 25\%$ window of the corresponding positive clock edge

 Don't Care

Figure 41. Bank Write Access



DI_n = Data In from column n

Burst Length = 4 in the case shown

3 subsequent elements of Data Out are provided in the programmed order following DI_n

DIS AP = Disable Autoprecharge

*=" Don't Care" , if A10 is HIGH at this point

PRE = PRECHARGE, ACT = ACTIVE, RA = Row Address, BA = Bank Address

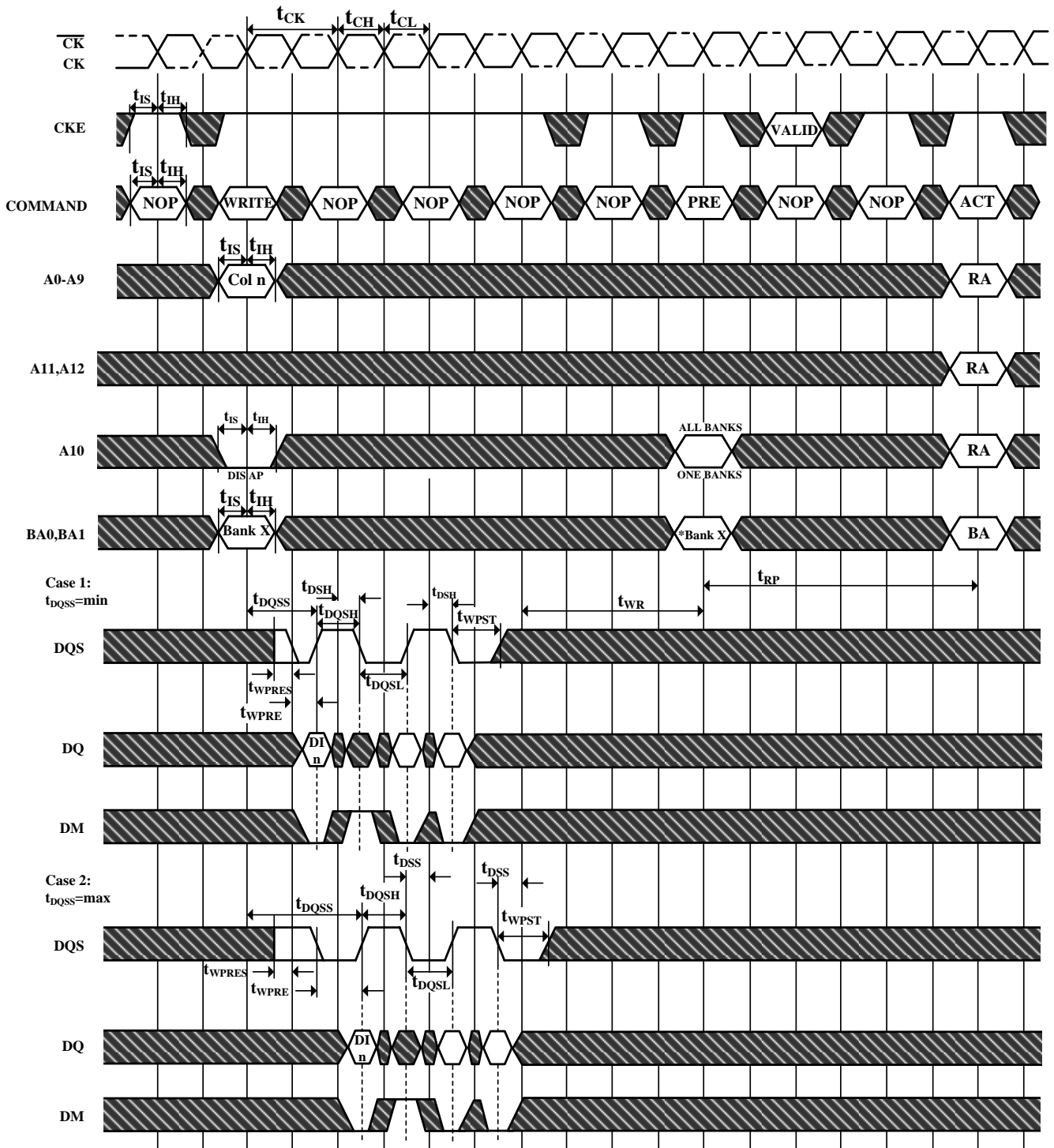
NOP commands are shown for ease of illustration; other commands may be valid at these times

Although t_{DQSS} is drawn only for the first DQS rising edge, each rising edge of DQS must fall within the ± 25% window of the corresponding positive clock edge

Precharge may not be issued before t_{RAS} ns after the ACTIVE command for applicable banks

 Don't Care

Figure 42. Write DM Operation



DI n = Data In from column n

Burst Length = 4 in the case shown

3 subsequent elements of Data In are provided in the programmed order following DI n

DIS AP = Disable Autoprecharge

*=" Don't Care" , if A10 is HIGH at this point

PRE = PRECHARGE, ACT = ACTIVE, RA = Row Address, BA = Bank Address

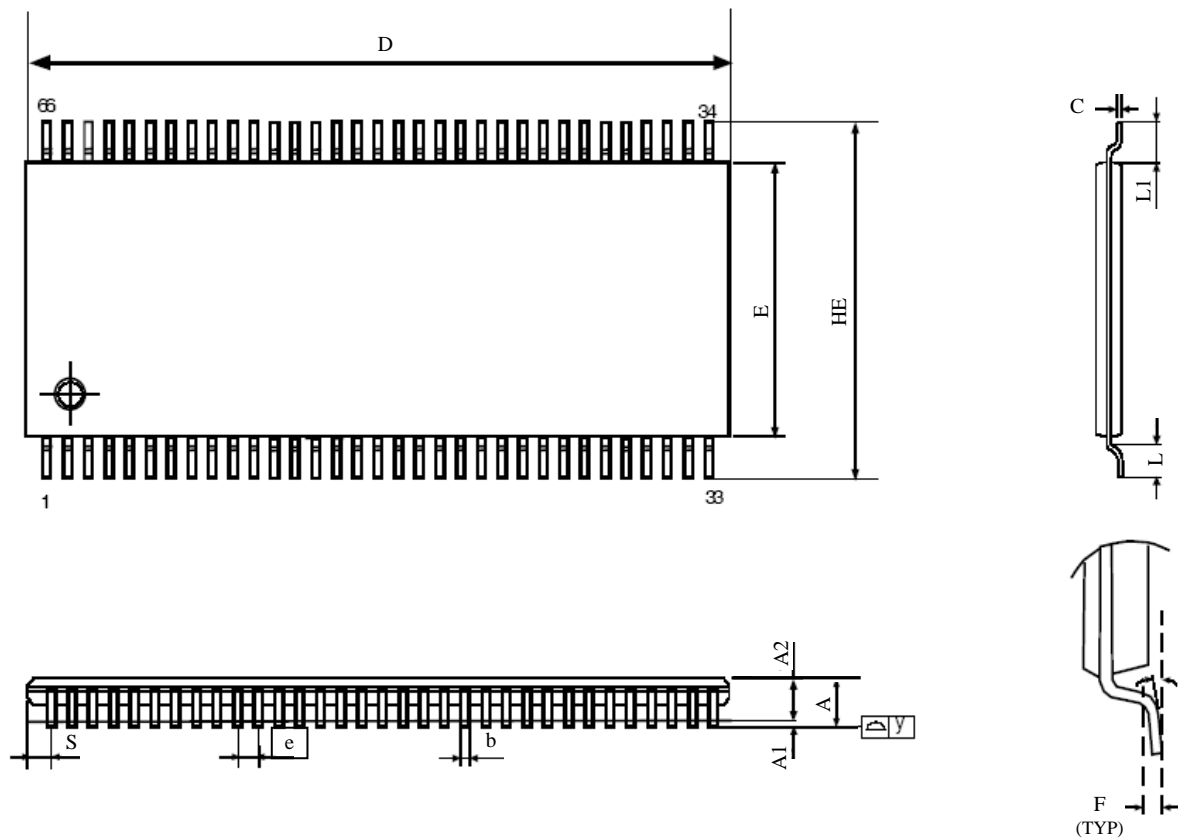
NOP commands are shown for ease of illustration; other commands may be valid at these times

Although tDQSS is drawn only for the first DQS rising edge, each rising edge of DQS must fall within the $\pm 25\%$ window of the corresponding positive clock edge

Precharge may not be issued before tRAS ns after the ACTIVE command for applicable banks

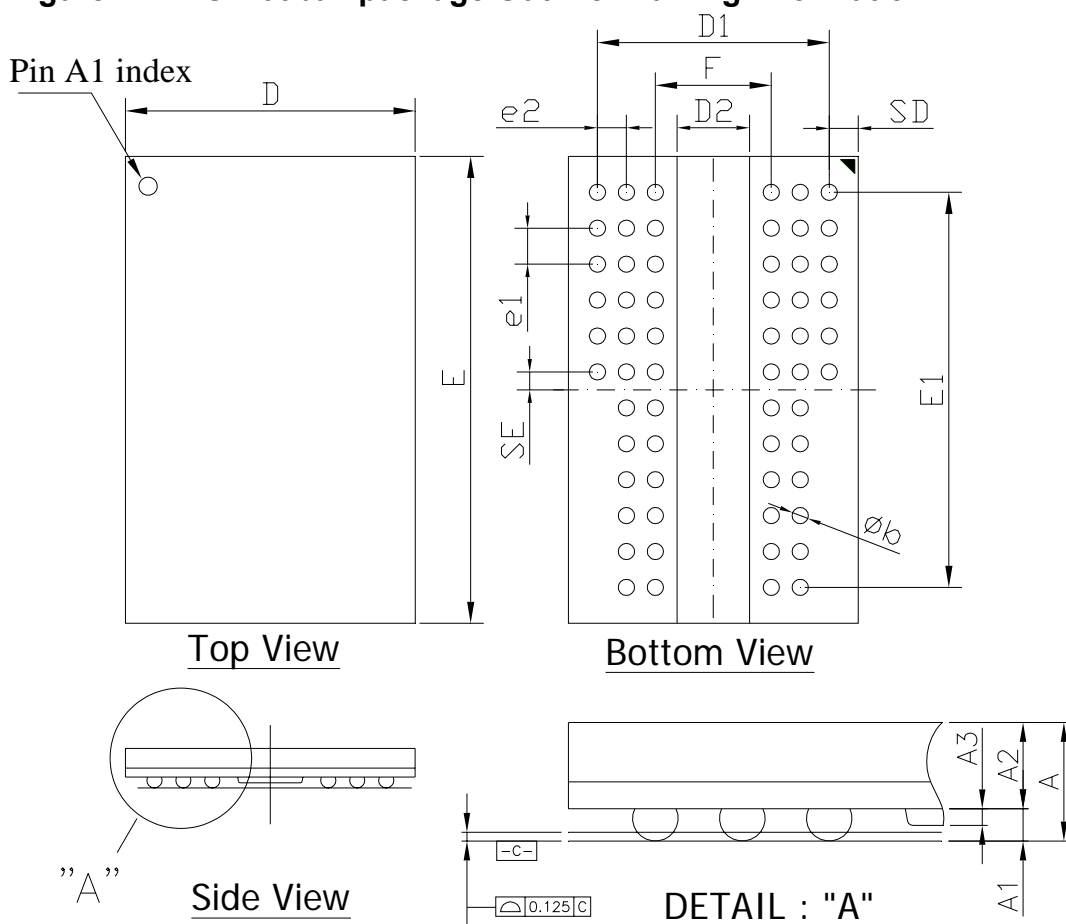


Figure 43. 66 Pin TSOP II Package Outline Drawing Information
Units: mm



| Symbol | Dimension in mm | | | Dimension in inch | | |
|--------|-----------------|-------|-------|-------------------|-------|-------|
| | Min | Nom | Max | Min | Nom | Max |
| A | --- | --- | 1.2 | --- | --- | 0.047 |
| A1 | 0.05 | --- | 0.2 | 0.002 | --- | 0.008 |
| A2 | 0.9 | 1.0 | 1.1 | 0.035 | 0.039 | 0.043 |
| b | 0.22 | --- | 0.45 | 0.009 | --- | 0.018 |
| e | --- | 0.65 | --- | --- | 0.026 | --- |
| C | 0.095 | 0.125 | 0.21 | 0.004 | 0.005 | 0.008 |
| D | 22.09 | 22.22 | 22.35 | 0.87 | 0.875 | 0.88 |
| E | 10.03 | 10.16 | 10.29 | 0.395 | 0.4 | 0.405 |
| HE | 11.56 | 11.76 | 11.96 | 0.455 | 0.463 | 0.471 |
| L | 0.40 | 0.5 | 0.6 | 0.016 | 0.02 | 0.024 |
| L1 | --- | 0.8 | --- | --- | 0.032 | --- |
| F | --- | 0.25 | --- | --- | 0.01 | --- |
| | 0° | --- | 8° | 0° | --- | 8° |
| S | --- | 0.71 | --- | --- | 0.028 | --- |
| □y | --- | --- | 0.10 | --- | --- | 0.004 |

Figure 44. BGA 60ball package Outline Drawing Information



| Symbol | Dimension (inch) | | | Dimension (mm) | | |
|--------|------------------|-------|-------|----------------|-------|-------|
| | Min | Nom | Max | Min | Nom | Max |
| A | -- | -- | 0.047 | -- | -- | 1.20 |
| A1 | 0.012 | 0.014 | 0.016 | 0.30 | 0.35 | 0.40 |
| A2 | -- | -- | 0.031 | -- | -- | 0.8 |
| A3 | 0.005 | 0.007 | 0.009 | 0.13 | 0.18 | 0.23 |
| D | 0.311 | 0.315 | 0.319 | 7.90 | 8.00 | 8.10 |
| E | 0.508 | 0.512 | 0.516 | 12.90 | 13.00 | 13.10 |
| D1 | -- | 0.252 | -- | -- | 6.40 | -- |
| E1 | -- | 0.433 | -- | -- | 11.00 | -- |
| e1 | -- | 0.039 | -- | -- | 1.00 | -- |
| e2 | -- | 0.031 | -- | -- | 0.80 | -- |
| b | 0.016 | 0.018 | 0.020 | 0.40 | 0.45 | 0.50 |
| F | -- | 0.126 | -- | -- | 3.20 | -- |
| SD | -- | 0.031 | -- | -- | 0.80 | -- |
| SE | -- | 0.02 | -- | -- | 0.50 | -- |
| D2 | -- | -- | 0.081 | -- | -- | 2.05 |